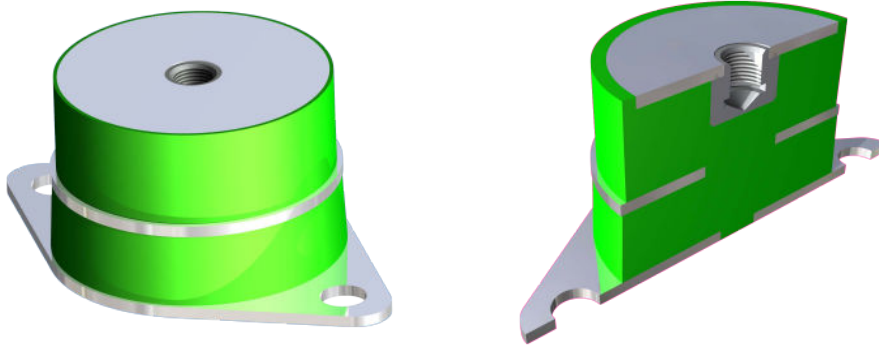




The VBLR/DBLR mounts are an evolution of the VBL/DBL range and are designed with a metal insert within the elastomeric part.

This allows the mounts to support higher loads than the VBL/DBL range, and also enables it to absorb huge impulsive charges under full power, whilst maintaining the necessary levels of deflection and insulation for effective operation.

This range of Mounts can accommodate loads between 45daN (approx.46kg) to 3,150daN's (approx. 3,212kg) per Mount.



STANDARD PRODUCTION

Flange and washer: DD12 or DD13 steel (UNI EN 10111)

Nuts: Resistance class 4 Screws: Resistance class 4.8

Natural rubber NR

Zinc plated in accordance with CE standards CHROME VI free, white

Stiffness tolerance +/- 20%

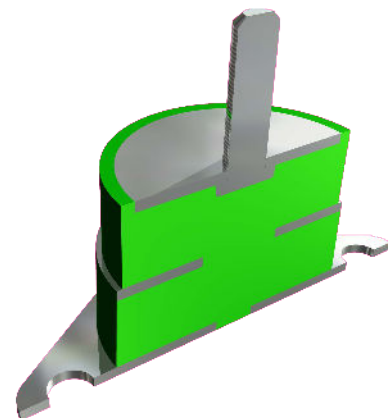
APPLICATIONS

- Measurement equipment
- Instruments • Small machinery
- Engines • Pumps • Radiators

OPTIONS & ADDITIONAL PARTS

NEOPRENE CR version

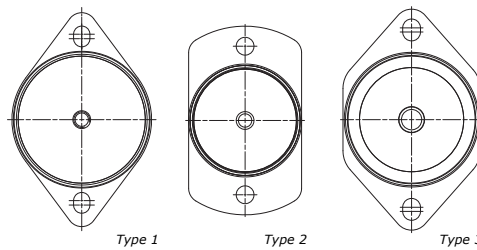
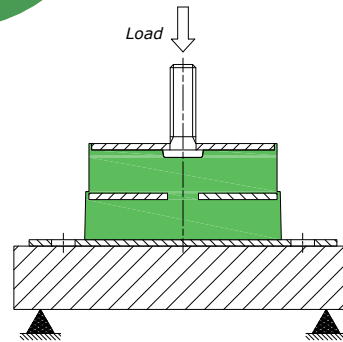
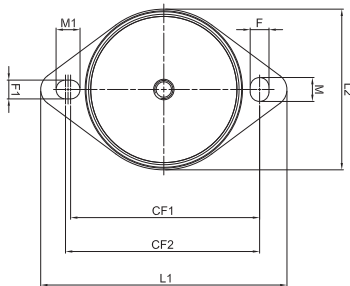
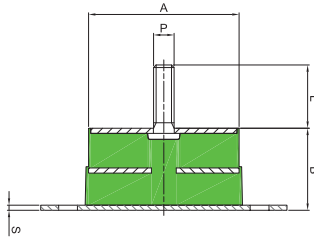
Height adjuster - DBLR version





HEAVY DUTY MOUNTS

Type VBLR



(N.B. 1 daN = 1.0197 kgf)

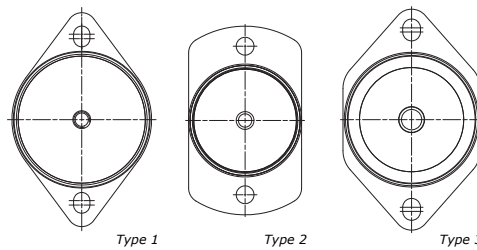
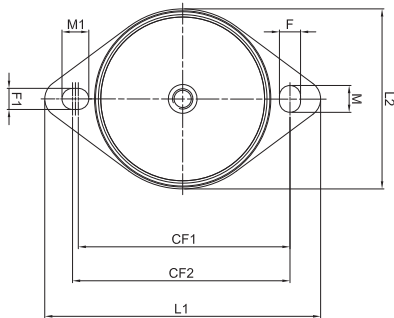
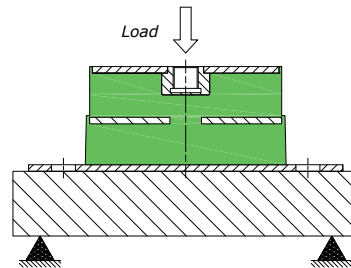
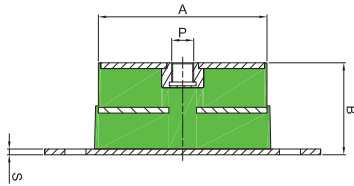
Item	Hardness (IRHD)	A	B	L	P	F FXM (F1XM1)	CF1	CF2	L1	L2	S	Average Stiffness (daN/mm)	Max Load (daN)	Max Deflec. (mm)	Type
7050VBLR38W	45											45,0	225,0	5,0	1
7050VBLR38M	60	71	50	37	M12	12	100	-	127	77	3	80,0	400,0	5,0	
7050VBLR38H	70											120,0	600,0	5,0	
7050VBLRS38W	45											45,0	225,0	5,0	2
7050VBLRS38M	60	71	50	37	M12	12	100	-	127	76	3	85,0	425,0	5,0	
7050VBLRS38H	70											120,0	600,0	5,0	
8550VBLR38W	45											110,0	550,0	5,0	1
8550VBLR38M	60	88	48	37	M12	11	112	-	144	94	3	170,0	850,0	5,0	
8550VBLR38H	70											255,0	1275,0	5,0	
10580VBLR38W	45											105,0	945,0	9,0	3
10580VBLR38M	60	100	80	38	M20	(14X17,25)	138	144,5	174	108	4	180,0	1620,0	9,0	
10580VBLR38H	70											270,0	2430,0	9,0	
12564VBLR42W	45											160,0	1120,0	7,0	1
12564VBLR42M	60	124	64	42	M20	18 X 23 (18X23)	177	182	215	144	4	305,0	2135,0	7,0	
12564VBLR42H	70											450,0	3150,0	7,0	

FIBET GROUP operates a policy of continuous improvement and development. We reserve the right to change design and specification of our products without prior notification or alteration of literature.



HEAVY DUTY MOUNTS

Type DBLR



(N.B. 1 daN = 1.0197 kgf)

Item	Hardness (IRHD)	A	B	P	F FXM (F1XM1)	CF1	CF2	L1	L2	S	Average Stiffness (daN/mm)	Max Load (daN)	Max Deflec. (mm)	Type
7050DBLR12W	45	71	50	M12	12	100	-	127	77	3	45,0	225,0	5,0	1
7050DBLR12M	60										80,0	400,0	5,0	
7050DBLR12H	70										120,0	600,0	5,0	
7050DBLRS12W	45	71	50	M12	12	100	-	127	76	3	45,0	225,0	5,0	2
7050DBLRS12M	60										85,0	425,0	5,0	
7050DBLRS12H	70										120,0	600,0	5,0	
8550DBLR12W	45	88	48	M12	11	112	-	144	94	3	110,0	550,0	5,0	1
8550DBLR12M	60										170,0	850,0	5,0	
8550DBLR12H	70										255,0	1275,0	5,0	
10580DBLR20W	45	100	80	M20	(14X17,25)	138	144,5	174	108	4	105,0	945,0	9,0	3
10580DBLR20M	60										180,0	1620,0	9,0	
10580DBLR20H	70										270,0	2430,0	9,0	
12564DBLR20W	45	124	64	M20	18 X 23 (18X23)	177	182	215	144	4	160,0	1120,0	7,0	1
12564DBLR20M	60										305,0	2135,0	7,0	
12564DBLR20H	70										450,0	3150,0	7,0	

FIBET GROUP operates a policy of continuous improvement and development. We reserve the right to change design and specification of our products without prior notification or alteration of literature.