

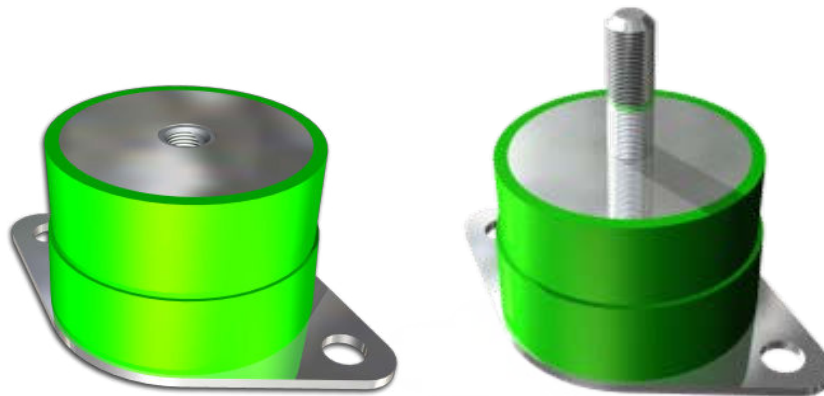


HEAVY DUTY MOUNTS

Type VBL/DBL

The VBL/DBL range of mounts is extremely versatile and can be used in various applications that only need to overcome compression forces (i.e. generators, pumps, compressors etc.). They are a simpler and cost effective alternative to more traditionally complicated mounts.

These mounts can be supplied with either a male screw (VBL) or with a threaded insert (DBL), and are designed with a flanged base to simplify installation to the end product. This range of Mounts can accommodate loads between 20daN (approx. 20kg) to 3,850daN's (approx. 3,925kg) per Mount.



STANDARD PRODUCTION

Flange and washer: DD12 or DD13 steel (UNI EN 10111)

Nuts: Resistance class 4 Screws: Resistance class 4.8

Natural rubber NR

Zinc plated in accordance with CE standards CHROME VI free, white

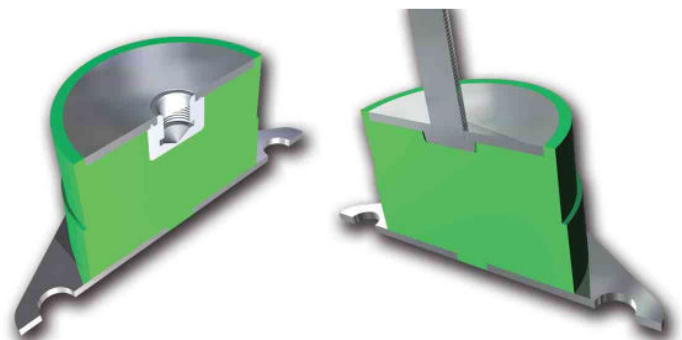
Stiffness tolerance +/- 20%

APPLICATIONS

- Measurement equipment
- Instruments • Small machinery
- Engines • Pumps • Radiators

OPTIONS & ADDITIONAL PARTS

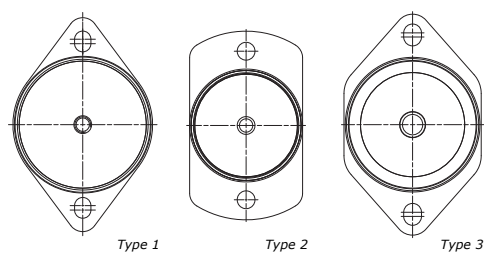
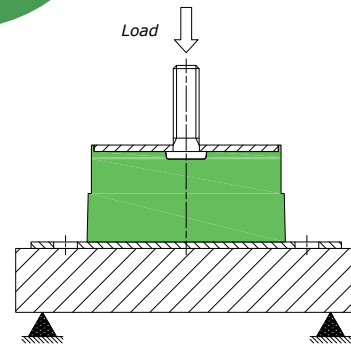
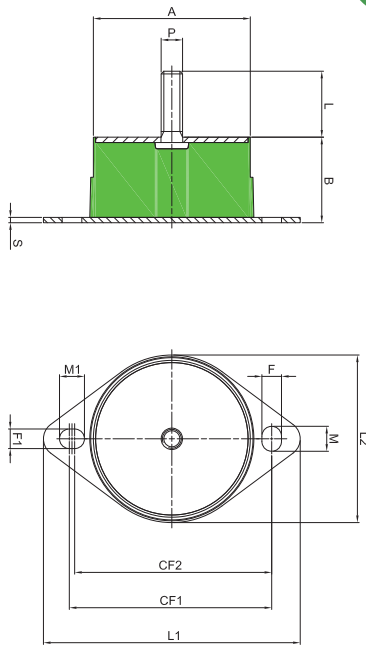
NEOPRENE CR version Height adjuster (DBL Version)





HEAVY DUTY MOUNTS

Type VBL



(N.B. 1 daN = 1.0197 kgf)

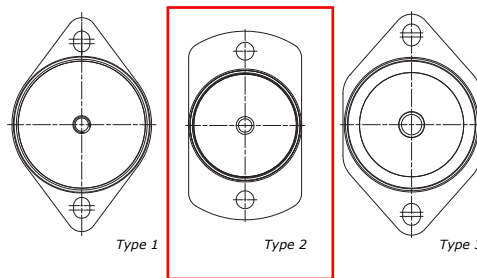
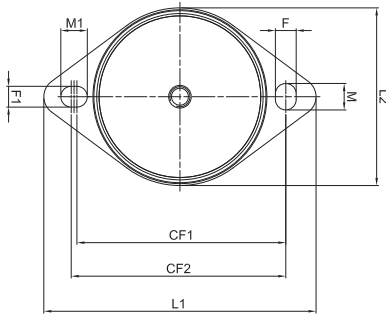
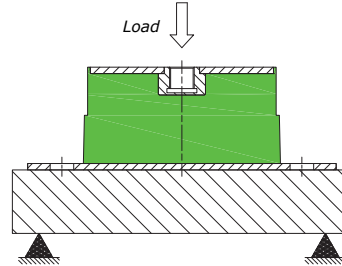
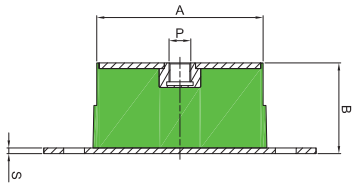
Item	Hardness (IRHD)	A	B	L	P	F FXM (F1XM1)	CF1	CF2	L1	L2	S	Average Stiffness (daN/mm)	Max Load (daN)	Max Deflec. (mm)	Type
7050VBL38W	45											20,0	160,0	8,0	1
7050VBL38M	60	71	50	37	M12	12	100	-	127	77	3	40,0	320,0	8,0	
7050VBL38H	70											60,0	480,0	8,0	
7050VBL38W	45											20,0	160,0	8,0	2
7050VBL38M	60	71	50	37	M12	12	100	-	127	76	3	40,0	320,0	8,0	
7050VBL38H	70											60,0	480,0	8,0	
8550VBL38W	45											55,0	440,0	8,0	1
8550VBL38M	60	88	48	37	M12	11	112	-	144	94	3	90,0	720,0	8,0	
8550VBL38H	70											130,0	1040,0	8,0	
10580VBL38W	45											50,0	600,0	12,0	3
10580VBL38M	60	100	80	38	M20	(14X17,25)	138	144,5	174	108	4	90,0	1080,0	12,0	
10580VBL38H	70											145,0	1750,0	12,0	
12564VBL42W	45											85,0	850,0	10,0	1
12564VBL42M	60	124	64	42	M20	18 X 23 (18X23)	177	182	215	144	4	140,0	1400,0	10,0	
12564VBL42H	70											220,0	2200,0	10,0	
15280VBL38W	45											105,0	1250,0	12,0	3
15280VBL38M	60	152	80	38	M20	(18X21,75)	190	197,5	232	168	4	200,0	2200,0	12,0	
15280VBL38H	70											320,0	3850,0	12,0	

FIBET GROUP operates a policy of continuous improvement and development. We reserve the right to change design and specification of our products without prior notification or alteration of literature.



HEAVY DUTY MOUNTS

Type DBL



(N.B. 1 daN = 1.0197 kgf)

Item	Hardness (IRHD)	A	B	P	F FXM (F1XM1)	CF1	CF2	L1	L2	S	Average Stiffness (daN/mm)	Max Load (daN)	Max Deflec. (mm)	Type
7050DBL12W	45	71	50	M12	12	100	-	127	77	3	20,0	160,0	8,0	1
7050DBL12M	60										40,0	320,0	8,0	
7050DBL12H	70										60,0	480,0	8,0	
7050DBLS12W	45	71	50	M12	12	100	-	127	76	3	20,0	160,0	8,0	2
7050DBLS12M	60										40,0	320,0	8,0	
7050DBLS12H	70										60,0	480,0	8,0	
8550DBL12W	45	88	48	M12	11	112	-	144	94	3	55,0	440,0	8,0	1
8550DBL12M	60										90,0	720,0	8,0	
8550DBL12H	70										130,0	1040,0	8,0	
10580DBL20W	45	100	80	M20	(14X17,25)	138	144,5	174	108	4	50,0	600,0	12,0	3
10580DBL20M	60										90,0	1080,0	12,0	
10580DBL20H	70										145,0	1750,0	12,0	
12564DBL20W	45	124	64	M20	18 X 23 (18X23)	177	182	215	144	4	85,0	850,0	10,0	1
12564DBL20M	60										140,0	1400,0	10,0	
12564DBL20H	70										220,0	2200,0	10,0	
15280DBL20W	45	152	80	M20	(18X21,75)	190	197,5	232	168	4	105,0	1250,0	12,0	3
15280DBL20M	60										200,0	2200,0	12,0	
15280DBL20H	70										320,0	3850,0	12,0	

FIBET GROUP operates a policy of continuous improvement and development. We reserve the right to change design and specification of our products without prior notification or alteration of literature.