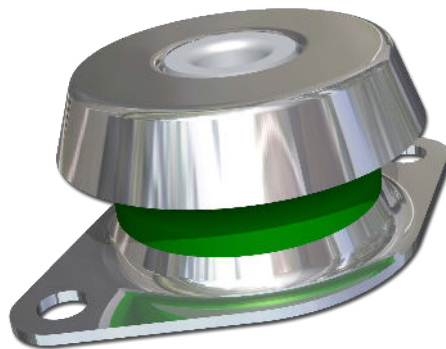




This mount offers a low profile, easy to install design with an integral fail-safe device to provide shock and failure protection for mobile, marine or seismic stationary applications.

When the rubber works in shear and compression it provides large static deflections, low natural (to 8 hz) and high isolation.

Our CFAB range is designed with a fail-safe function making it an ideal solution for applications where safety is paramount can accommodate loads between 20daN (approx. 20kg) to 130 daN's (approx. 132kg) per Mount.



STANDARD PRODUCTION

Bell and flange: DD13 or DC04 steel (UNI EN 10111 ALT UNI EN 10130)

Fail-safe device: 11SMnPb37 (UNI EN 10087)

Natural rubber NR

Zinc plated in accordance with CE standard CHROME VI free, white

Stiffness tolerance +/- 15%

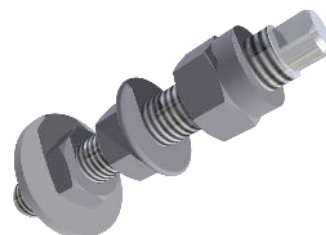
APPLICATIONS

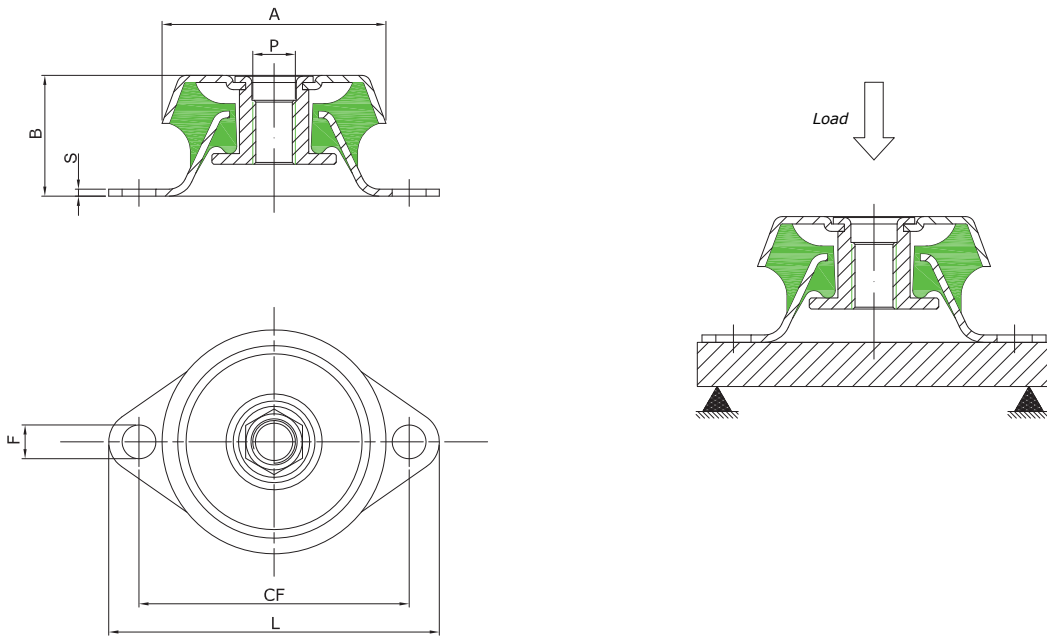
- Gensets • Marine power engines
- Diesel engines • Pumps • HVAC

OPTIONS & ADDITIONAL PARTS

Stainless steel version

Height adjuster





Bell Mounts can withstand up to 2g of shock forces or 5g occasional shock forces with regard to the load without permanent deformation or failing .

(N.B. 1 daN = 1.0197 kgf)

Item	A	B	P	F	CF	L	S	Average Stiffness (daN/mm)	Max. Load (daN)	Max Deflec. (mm)
CFAB-3	63	34	M12	9,5	76	93	2	20	70	3,5
CFAB-2	63	34	M12	9,5	76	93	2	30	110	3,5
CFAB-0	63	34	M12	9,5	76	93	2	37	130	3,5