



The FBNS range of bushes are designed to eliminate high frequencies whilst supporting high loads during operation. This is achieved through elastic deformation of the rubber under the effect of the external forces being applied to the metal tubes. The bushes are manufactured with the rubber assembled to the outer tube and bonded to the inner tube.



STANDARD PRODUCTION

Fe 360 Steel (ISO 3305/3306)

Natural rubber NR

Zinc plated in accordance with CE standards CHROME VI free, white

Stiffness tolerance +/- 20%



APPLICATIONS

- Flexible Joints • Motor vehicles
- Earth moving machinery • General machinery & equipment

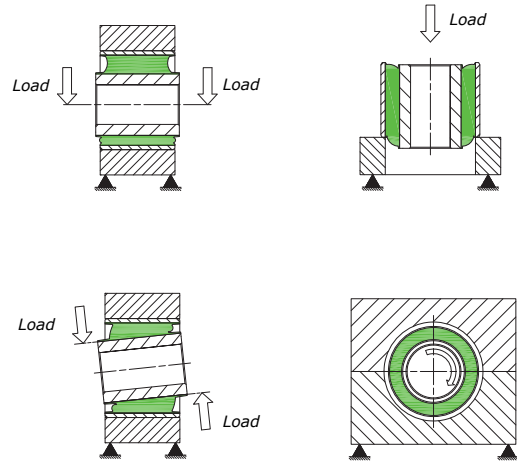
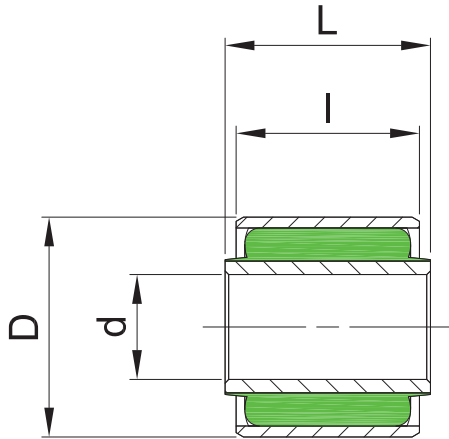
OPTIONS & ADDITIONAL PARTS

Alternative elastomeric hardness and compounds available



SEMI BONDED BUSHES

Type FBNS



INSIDE DIAMETER (d) TOLERANCES				OUTSIDE DIAMETER (D) TOLERANCES			
from	8 mm	to 15mm	-0 / +0,15	from	16 mm	to 30 mm	-0 / +0,10
from	16 mm	to 25mm	-0 / +0,30	from	31 mm	to 70mm	-0 / +0,15
from	26 mm	to 50mm	-0 / +0,40	from	71 mm	to 100 mm	-0 / +0,20
over	51 mm	to be defined		over	101 mm	to be defined	

Approximate schemes for forces and constraints

N.B. The Driving Seat must assure a minimum interference of 0.02mm, with a tolerance of -0.05mm

i.e. A Bush with an Outside Diameter of 30mm must be fitted into a hole with a dimension of 30mm -0.02/-0.05mm (i.e. 29.98 - 29.93mm)

Subject to agreement, we are able to supply products to closer tolerances where required.

• STANDARD HARDNESS 65 IRHD

(N.B. 1 daN = 1.0197 kgf)

Item	d	D	l	L	RADIAL		AXIAL		TORSIONAL		CONICAL	
					Stiffness (daN/mm)	Deflec. Max (mm)	Stiffness (daN/mm)	Deflec. Max (mm)	Stiffness (Nm/°)	Angle. Max (+/-°gradi)	Stiffness (Nm/°)	Angle. Max (+/-°gradi)
FBNS0816.1415	8,2	16,0	14,0	15,0	683	0,2	49	0,2	0,36	15°	0,94	3°
FBNS0820.1421	8,2	20,0	14,0	21,0	111	0,2	20	0,2	0,24	30°	0,16	7°
FBNS0820.1517	8,2	20,0	15,0	17,0	126	0,5	22	0,2	0,26	30°	0,20	7°
FBNS0820.1519	8,2	20,0	15,0	19,0	126	0,5	22	0,8	0,26	30°	0,20	7°
FBNS0822.2023	8,2	22,0	20,0	23,0	167	0,6	27	0,6	0,35	30°	0,52	7°
FBNS0832.3440	8,2	32,0	34,0	40,0	317	0,9	48	1,2	1,31	30°	3,06	3°
FBNS1022.1517	10,0	22,0	15,0	17,0	343	0,4	37	0,4	0,54	20°	0,52	3°
FBNS1022.1519	10,0	22,0	15,0	19,0	343	0,4	37	0,8	0,54	20°	0,52	3°
FBNS1022.2023	10,0	22,0	20,0	23,0	612	0,4	54	0,6	0,75	20°	1,73	1°
FBNS1022.2530	10,0	22,0	25,0	30,0	958	0,4	73	1,0	0,95	20°	4,35	3°
FBNS1022.3033	10,0	22,0	30,0	33,0	1380	0,4	93	0,6	1,16	15°	9,19	2°
FBNS1024.1822	10,0	24,0	18,0	22,0	239	0,5	33	0,8	0,56	25°	0,56	5°

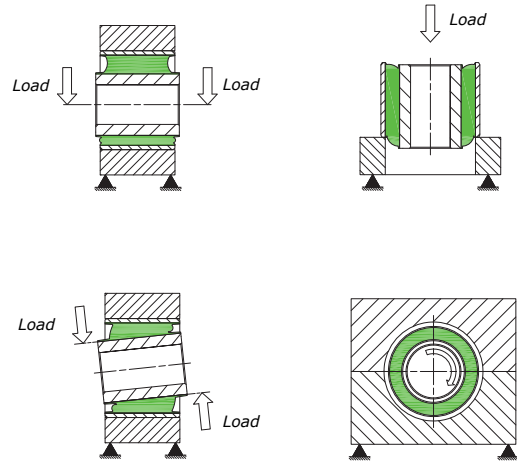
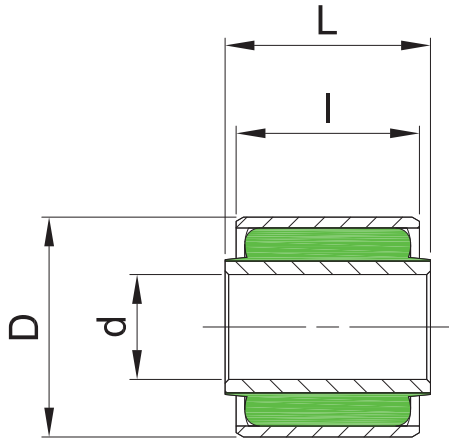
Items produced only on request. Supply quantities on request.

FIBET GROUP operates a policy of continuous improvement and development. We reserve the right to change design and specification of our products without prior notification or alteration of literature.



SEMI BONDED BUSHES

Type FBNS



INSIDE DIAMETER (d) TOLERANCES				OUTSIDE DIAMETER (D) TOLERANCES			
from	8 mm	to 15mm	-0 / +0,15	from	16 mm	to 30 mm	-0 / +0,10
from	16 mm	to 25mm	-0 / +0,30	from	31 mm	to 70mm	-0 / +0,15
from	26 mm	to 50mm	-0 / +0,40	from	71 mm	to 100 mm	-0 / +0,20
over	51 mm	to be defined		over	101 mm	to be defined	

Approximate schemes for forces and constraints

N.B. The Driving Seat must assure a minimum interference of 0.02mm, with a tolerance of -0.05mm

i.e. A Bush with an Outside Diameter of 30mm must be fitted into a hole with a dimension of 30mm -0.02/-0.05mm (i.e. 29.98 - 29.93mm)

Subject to agreement, we are able to supply products to closer tolerances where required.

● STANDARD HARDNESS 65 IRHD

(N.B. 1 daN = 1.0197 kgf)

Item	d	D	l	L	RADIAL		AXIAL		TORSIONAL		CONICAL	
					Stiffness (daN/mm)	Deflec. Max (mm)	Stiffness (daN/mm)	Deflec. Max (mm)	Stiffness (Nm/°)	Angle. Max (+/-°gradi)	Stiffness (Nm/°)	Angle. Max (+/-°gradi)
FBNS1024.1824	10,0	24,0	18,0	24,0	239	0,5	33	1,2	0,56	30°	0,56	3°
FBNS1027.1722	10,0	27,0	17,0	22,0	113	0,8	22	1,0	0,47	30°	0,25	3°
FBNS1028.2027	10,0	28,0	20,0	27,0	128	0,8	25	1,4	0,56	20°	0,41	5°
FBNS1030.4549	10,0	30,0	45,0	49,0	1114	0,7	98	0,8	2,52	30°	17,96	3°
FBNS1125.5154	11,4	25,4	51,0	54,0	1698	0,6	122	0,6	2,00	20°	34,80	1°
FBNS1224.3538	12,0	24,0	35,0	38,0	2332	0,4	133	0,6	1,93	20°	21,30	1°
FBNS1225.2024	12,0	25,0	20,0	24,0	492	0,5	50	0,8	0,95	20°	1,41	3°
FBNS1225.3538	12,0	25,0	35,0	38,0	1483	0,5	104	0,6	1,75	20°	13,80	1°
FBNS1225.5054	12,0	25,0	50,0	54,0	3000	0,5	168	0,8	2,54	20°	57,84	1°
FBNS1226.1824	12,0	26,0	18,0	24,0	287	0,5	37	1,2	0,78	30°	0,67	7°
FBNS1226.2024	12,0	26,0	20,0	24,0	351	0,5	42	0,8	0,88	30°	1,03	7°
FBNS1226.2327	12,0	26,0	23,0	27,0	458	0,5	51	0,2	1,03	20°	1,81	4°

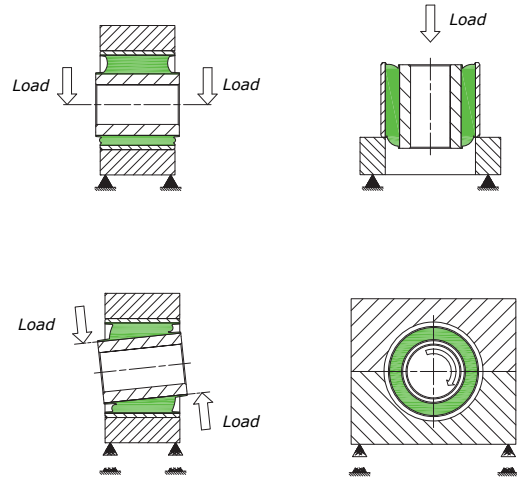
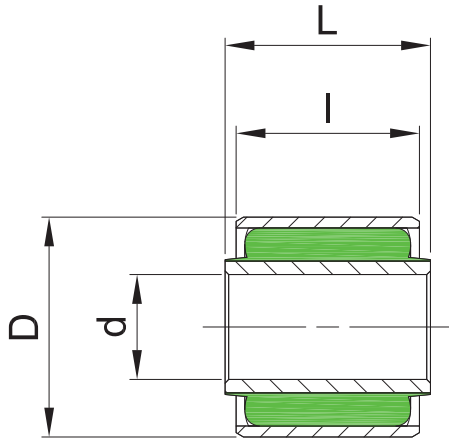
Items produced only on request. Supply quantities on request.

FIBET GROUP operates a policy of continuous improvement and development. We reserve the right to change design and specification of our products without prior notification or alteration of literature.



SEMI BONDED BUSHES

Type FBNS



INSIDE DIAMETER (d) TOLERANCES

from	8 mm	to 15mm	-0 / +0,15
from	16 mm	to 25mm	-0 / +0,30
from	26 mm	to 50mm	-0 / +0,40
over	51 mm	to be defined	

OUTSIDE DIAMETER (D) TOLERANCES

from	16 mm	to 30 mm	-0 / +0,10
from	31 mm	to 70mm	-0 / +0,15
from	71 mm	to 100 mm	-0 / +0,20
over	101 mm	to be defined	

Approximate schemes for forces and constraints

N.B. The Driving Seat must assure a minimum interference of 0.02mm, with a tolerance of -0.05mm

i.e. A Bush with an Outside Diameter of 30mm must be fitted into a hole with a dimension of 30mm -0.02/-0.05mm (i.e. 29.98 - 29.93mm)

Subject to agreement, we are able to supply products to closer tolerances where required.

● STANDARD HARDNESS 65 IRHD

(N.B. 1 daN = 1.0197 kgf)

Item	d	D	I	L	RADIAL		AXIAL		TORSIONAL		CONICAL	
					Stiffness (daN/mm)	Deflec. Max (mm)	Stiffness (daN/mm)	Deflec. Max (mm)	Stiffness (Nm/°)	Angle. Max (+/-°gradi)	Stiffness (Nm/°)	Angle. Max (+/-°gradi)
FBNS1226.3234	12,0	26,0	32,0	34,0	865	0,5	76	0,4	1,47	30°	6,79	7°
FBNS1227.1824	12,0	26,5	18,0	24,0	287	0,5	37	1,2	0,78	30°	0,67	7°
FBNS1227.3842	12,0	27,0	38,0	42,0	888	0,6	81	0,8	1,67	30°	10,09	3°
FBNS1227.5056	12,0	27,0	50,0	56,0	1271	0,6	106	1,2	2,16	20°	25,38	1°
FBNS1227.6068	12,0	27,0	60,0	68,0	1799	0,6	133	1,6	2,61	15°	51,84	1°
FBNS1228.3238	12,0	28,0	32,0	38,0	499	0,7	58	1,2	1,33	20°	4,06	3°
FBNS1228.4044	12,0	28,0	40,0	44,0	755	0,7	76	0,8	1,68	25°	9,66	2°
FBNS1230.2428	12,0	30,0	24,0	28,0	203	0,8	34	0,8	0,92	30°	0,94	4°
FBNS1230.2130	12,0	30,0	21,0	30,0	161	0,8	29	1,8	0,79	30°	0,56	4°
FBNS1230.2430	12,0	30,0	24,0	30,0	203	0,8	34	1,2	0,92	30°	0,94	4°
FBNS1230.2528	12,0	30,0	25,0	28,0	218	0,8	36	0,6	0,96	30°	1,10	4°
FBNS1230.3944	12,0	30,0	39,0	44,0	477	0,8	61	1,0	1,55	30°	5,97	2°

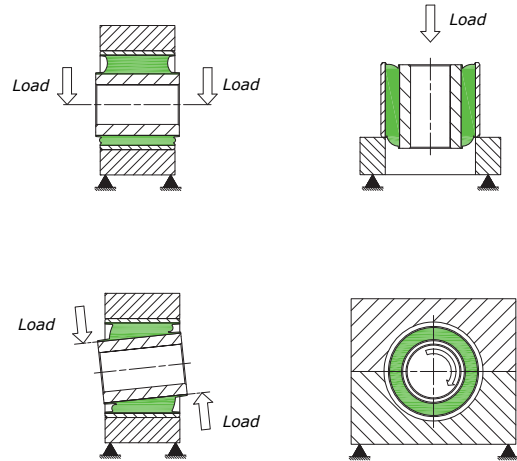
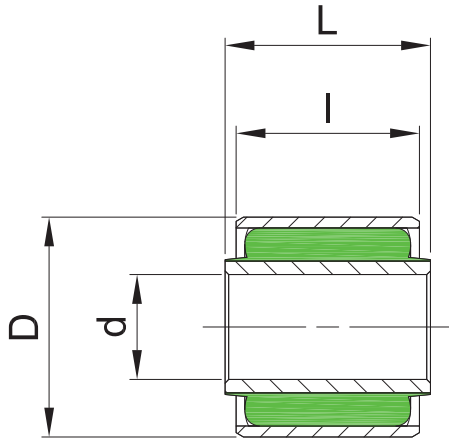
Items produced only on request. Supply quantities on request.

FIBET GROUP operates a policy of continuous improvement and development. We reserve the right to change design and specification of our products without prior notification or alteration of literature.



SEMI BONDED BUSHES

Type FBNS



INSIDE DIAMETER (d) TOLERANCES				OUTSIDE DIAMETER (D) TOLERANCES			
from	8 mm	to 15mm	-0 / +0,15	from	16 mm	to 30 mm	-0 / +0,10
from	16 mm	to 25mm	-0 / +0,30	from	31 mm	to 70mm	-0 / +0,15
from	26 mm	to 50mm	-0 / +0,40	from	71 mm	to 100 mm	-0 / +0,20
over	51 mm	to be defined		over	101 mm	to be defined	

Approximate schemes for forces and constraints

*N.B. The Driving Seat must assure a minimum interference of 0.02mm, with a tolerance of -0.05mm
i.e. A Bush with an Outside Diameter of 30mm must be fitted into a hole with a dimension of 30mm -0.02/-0.05mm (i.e. 29.98 - 29.93mm)*

Subject to agreement, we are able to supply products to closer tolerances where required.

● **STANDARD HARDNESS 65 IRHD**

(N.B. 1 daN = 1.0197 kgf)

Item	d	D	I	L	RADIAL		AXIAL		TORSIONAL		CONICAL	
					Stiffness (daN/mm)	Deflec. Max (mm)	Stiffness (daN/mm)	Deflec. Max (mm)	Stiffness (Nm/°)	Angle. Max (+/-°gradi)	Stiffness (Nm/°)	Angle. Max (+/-°gradi)
FBNS1232.3440	12,0	32,0	34,0	40,0	317	0,9	48	1,2	1,31	30°	3,06	3°
FBNS1240.5866	12,0	40,0	58,0	66,0	330	1,5	58	1,6	2,28	30°	10,04	3°
FBNS1242.7582	12,1	42,2	75,0	82,0	487	1,6	77	2,4	3,36	20°	24,65	1°
FBNS1252.4052	12,5	52,0	40,0	52,0	230	1,7	47	2,4	3,72	30°	3,33	3°
FBNS1327.3844	13,0	27,0	38,0	44,0	1322	0,5	101	1,2	2,05	25°	14,72	3°
FBNS1427.4045	14,3	27,0	40,0	45,0	2330	0,5	141	1,0	2,72	25°	28,32	2°
FBNS1427.5056	14,3	27,0	50,0	56,0	2855	0,5	167	1,2	3,26	20°	55,24	1°
FBNS1429.3244	14,3	29,0	32,0	44,0	760	0,6	74	2,4	1,85	20°	6,03	2°
FBNS1430.2528	14,3	30,0	25,0	28,0	371	0,7	48	0,6	1,35	30°	1,80	7°
FBNS1430.2530	14,3	30,0	25,0	30,0	371	0,7	48	1,0	1,35	30°	1,80	7°
FBNS1430.3344	14,3	30,0	33,0	44,5	621	0,7	67	2,3	1,82	30°	5,34	3°
FBNS1430.3842	14,3	30,0	38,0	42,0	809	0,7	80	0,8	2,11	30°	9,27	3°

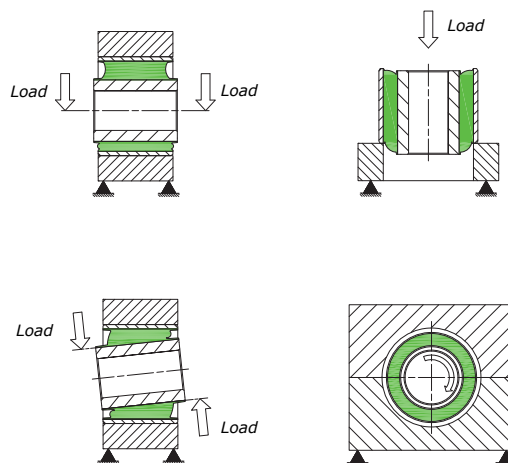
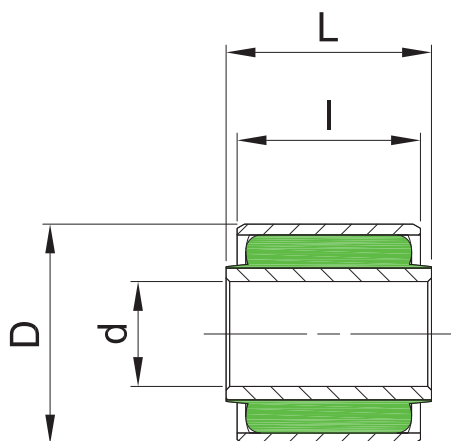
Items produced only on request. Supply quantities on request.

FIBET GROUP operates a policy of continuous improvement and development. We reserve the right to change design and specification of our products without prior notification or alteration of literature.



SEMI BONDED BUSHES

Type FBNS



INSIDE DIAMETER (d) TOLERANCES			
from	8 mm	to 15mm	-0 / +0,15
from	16 mm	to 25mm	-0 / +0,30
from	26 mm	to 50mm	-0 / +0,40
over	51 mm	to be defined	

OUTSIDE DIAMETER (D) TOLERANCES			
from	16 mm	to 30 mm	-0 / +0,10
from	31 mm	to 70mm	-0 / +0,15
from	71 mm	to 100 mm	-0 / +0,20
over	101 mm	to be defined	

Approximate schemes for forces and constraints

N.B. The Driving Seat must assure a minimum interference of 0.02mm, with a tolerance of -0.05mm

i.e. A Bush with an Outside Diameter of 30mm must be fitted into a hole with a dimension of 30mm -0.02/+0.05mm (i.e. 29.98 - 29.93mm)

Subject to agreement, we are able to supply products to closer tolerances where required.

• STANDARD HARDNESS 65 IRHD

(N.B. 1 daN = 1.0197 kgf)

Item	d	D	l	L	RADIAL		AXIAL		TORSIONAL		CONICAL	
					Stiffness (daN/mm)	Deflec. Max (mm)	Stiffness (daN/mm)	Deflec. Max (mm)	Stiffness (Nm/°)	Angle. Max (+/-°gradi)	Stiffness (Nm/°)	Angle. Max (+/-°gradi)
FBNS1430.3944	14,3	30,0	39,0	44,5	850	0,7	82	1,1	2,17	30°	10,26	3°
FBNS1430.4451	14,3	30,0	44,5	50,8	1088	0,7	97	1,3	2,49	25°	17,12	2°
FBNS1430.4549	14,3	30,0	45,0	49,0	1114	0,7	98	0,8	2,52	25°	17,96	2°
FBNS1430.6370	14,3	30,2	63,5	69,85	2039	0,7	148	1,3	3,58	20°	65,93	1°
FBNS1430.8692	14,3	30,2	85,9	91,6	3645	0,7	220	1,1	4,88	15°	215,80	1°
FBNS1432.3846	14,3	32,0	38,0	46,0	529	0,8	65	1,6	1,97	25°	6,24	2°
FBNS1432.5054	14,0	32,0	49,6	54,0	1565	0,7	123	0,9	3,60	25°	30,55	2°
FBNS1432.5862	14,3	31,7	57,4	62,0	1198	0,8	110	0,9	3,05	20°	32,19	1°
FBNS1432.6066	14,0	32,0	60,0	66,0	2255	0,4	157	1,2	4,39	25°	64,62	2°
FBNS1440.6070	14,0	40,0	60,0	70,0	2317	0,8	166	2,0	6,56	30°	66,54	3°
FBNS1440.6072	14,0	40,0	60,0	72,0	2317	0,8	166	2,4	6,56	30°	66,54	3°
FBNS1452.5664	14,0	52,0	56,0	64,0	352	1,8	64	1,6	4,87	30°	10,04	3°

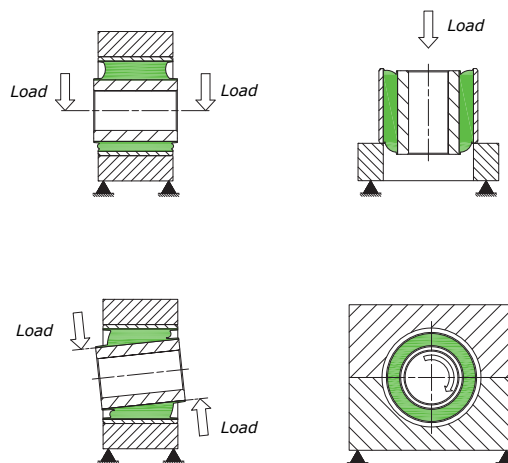
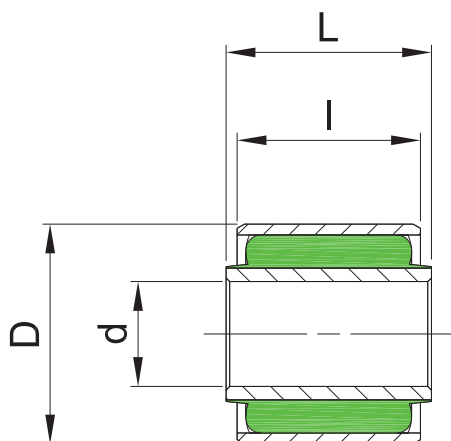
Items produced only on request. Supply quantities on request.

FIBET GROUP operates a policy of continuous improvement and development. We reserve the right to change design and specification of our products without prior notification or alteration of literature.



SEMI BONDED BUSHES

Type FBNS



INSIDE DIAMETER (d) TOLERANCES

from	8 mm	to 15mm	-0 / +0,15
from	16 mm	to 25mm	-0 / +0,30
from	26 mm	to 50mm	-0 / +0,40
over	51 mm	to be defined	

OUTSIDE DIAMETER (D) TOLERANCES

from	16 mm	to 30 mm	-0 / +0,10
from	31 mm	to 70mm	-0 / +0,15
from	71 mm	to 100 mm	-0 / +0,20
over	101 mm	to be defined	

Approximate schemes for forces and constraints

N.B. The Driving Seat must assure a minimum interference of 0.02mm, with a tolerance of -0.05mm

i.e. A Bush with an Outside Diameter of 30mm must be fitted into a hole with a dimension of 30mm -0.02/-0.05mm (i.e. 29.98 - 29.93mm)

Subject to agreement, we are able to supply products to closer tolerances where required.

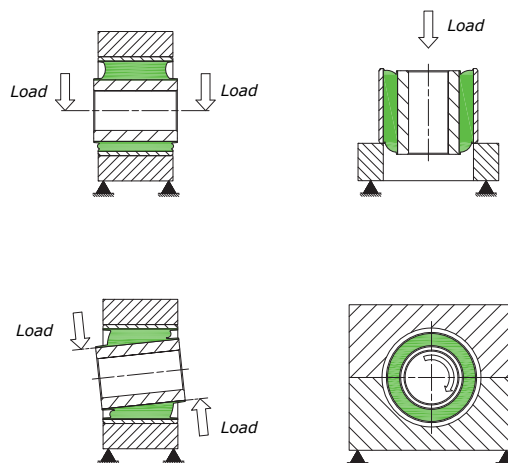
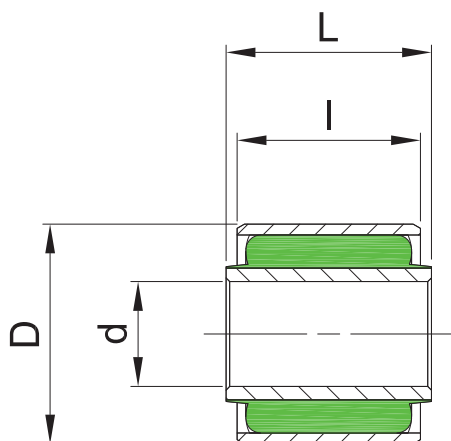
• STANDARD HARDNESS 65 IRHD

(N.B. 1 daN = 1.0197 kgf)

Item	d	D	l	L	RADIAL		AXIAL		TORSIONAL		CONICAL	
					Stiffness (daN/mm)	Deflec. Max (mm)	Stiffness (daN/mm)	Deflec. Max (mm)	Stiffness (Nm/°)	Angle. Max (+/-°gradi)	Stiffness (Nm/°)	Angle. Max (+/-°gradi)
FBNS1632.2528	16,0	32,0	25,0	28,0	869	0,5	77	0,6	2,52	20°	4,01	5°
FBNS1632.2832	16,0	32,0	28,0	32,0	530	0,7	61	0,8	1,97	20°	3,23	3°
FBNS1632.5054	16,0	32,0	49,6	54,0	1565	0,7	123	0,9	3,60	15°	30,55	1°
FBNS1632.6066	16,0	32,0	60,0	66,0	2255	0,7	157	1,2	4,39	20°	64,61	1°
FBNS1632.6069	16,0	32,0	60,0	69,0	2255	0,7	157	1,8	4,39	20°	64,61	1°
FBNS1633.5059	16,0	33,0	50,0	59,0	1589	0,7	124	1,8	3,64	15°	31,53	1°
FBNS1633.6066	16,0	33,0	60,0	66,0	2255	0,7	157	1,2	4,39	15°	64,61	1°
FBNS1635.5862	16,0	35,0	58,0	62,0	1332	0,8	119	0,8	3,91	20°	36,46	1°
FBNS1636.3038	16,0	36,0	30,0	38,0	289	1,0	46	1,6	1,86	30°	2,15	7°
FBNS1636.3538	16,0	36,0	35,0	38,0	377	1,0	55	0,6	2,19	30°	3,84	7°
FBNS1636.6570	16,0	36,0	65,0	70,0	1894	0,8	149	1,0	5,52	20°	64,78	1°
FBNS1638.6072P	16,2	38,0	60,0	72,1	3192	0,8	199	2,4	7,67	20°	90,59	1°

Items produced only on request. Supply quantities on request.

FIBET GROUP operates a policy of continuous improvement and development. We reserve the right to change design and specification of our products without prior notification or alteration of literature.



INSIDE DIAMETER (d) TOLERANCES

from	8 mm	to 15mm	-0 / +0,15
from	16 mm	to 25mm	-0 / +0,30
from	26 mm	to 50mm	-0 / +0,40
over	51 mm	to be defined	

OUTSIDE DIAMETER (D) TOLERANCES

from	16 mm	to 30 mm	-0 / +0,10
from	31 mm	to 70mm	-0 / +0,15
from	71 mm	to 100 mm	-0 / +0,20
over	101 mm	to be defined	

Approximate schemes for forces and constraints

N.B. The Driving Seat must assure a minimum interference of 0.02mm, with a tolerance of -0.05mm

i.e. A Bush with an Outside Diameter of 30mm must be fitted into a hole with a dimension of 30mm -0.02/-0.05mm (i.e. 29.98 - 29.93mm)

Subject to agreement, we are able to supply products to closer tolerances where required.

● **STANDARD HARDNESS 65 IRHD**

(N.B. 1 daN = 1.0197 kgf)

Item	d	D	l	L	RADIAL		AXIAL		TORSIONAL		CONICAL	
					Stiffness (daN/mm)	Deflec. Max (mm)	Stiffness (daN/mm)	Deflec. Max (mm)	Stiffness (Nm/°)	Angle. Max (+/-°gradi)	Stiffness (Nm/°)	Angle. Max (+/-°gradi)
FBNS1640.3543	16,0	40,0	35,0	43,0	255	1,2	46	1,6	2,09	30°	2,70	2°
FBNS1645.7582	16,5	45,0	75,0	82,0	1055	1,3	119	1,4	6,82	25°	50,56	1°
FBNS1646.6067	16,0	46,0	60,0	67,0	486	1,5	75	1,4	4,41	25°	15,47	2°
FBNS1646.6082	16,0	46,0	60,0	82,0	486	1,5	75	4,4	4,41	25°	15,47	1°
FBNS1834.3236	18,0	34,0	32,0	36,0	1099	0,6	94	0,8	3,42	20°	8,59	3°
FBNS1834.6571	18,0	34,0	65,0	71,0	4383	0,6	239	1,2	7,19	20°	145,20	1°
FBNS1842.3538	18,0	42,2	35,0	38,0	335	1,1	54	0,6	2,89	30°	3,47	7°
FBNS1842.3542	18,0	42,2	35,0	42,0	335	1,1	54	1,4	2,89	30°	3,47	7°
FBNS1846.6067	18,0	46,0	60,0	67,0	560	1,4	81	1,4	4,86	25°	17,62	3°
FBNS2038.3538	20,0	38,0	35,0	38,0	1126	0,7	99	0,6	4,36	20°	10,69	3°
FBNS2042.3546	20,0	42,2	35,0	46,0	488	1,0	66	2,2	3,66	20°	4,90	3°
FBNS2044.3842	20,0	44,0	38,0	42,0	439	1,1	64	0,8	3,82	30°	5,32	7°

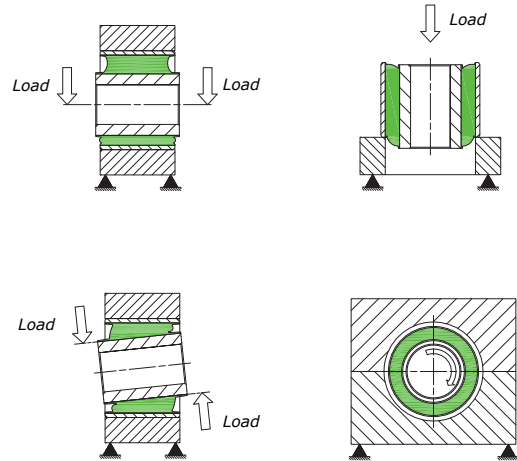
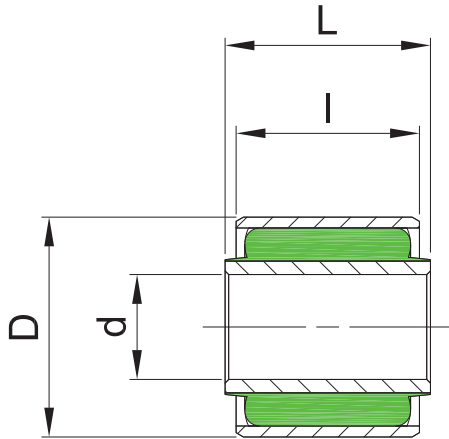
Items produced only on request. Supply quantities on request.

FIBET GROUP operates a policy of continuous improvement and development. We reserve the right to change design and specification of our products without prior notification or alteration of literature.



SEMI BONDED BUSHES

Type FBNS



INSIDE DIAMETER (d) TOLERANCES				OUTSIDE DIAMETER (D) TOLERANCES			
from	8 mm	to 15mm	-0 / +0,15	from	16 mm	to 30 mm	-0 / +0,10
from	16 mm	to 25mm	-0 / +0,30	from	31 mm	to 70mm	-0 / +0,15
from	26 mm	to 50mm	-0 / +0,40	from	71 mm	to 100 mm	-0 / +0,20
over	51 mm	to be defined		over	101 mm	to be defined	

Approximate schemes for forces and constraints

N.B. The Driving Seat must assure a minimum interference of 0.02mm, with a tolerance of -0.05mm

i.e. A Bush with an Outside Diameter of 30mm must be fitted into a hole with a dimension of 30mm -0.02/-0.05mm (i.e. 29.98 - 29.93mm)

Subject to agreement, we are able to supply products to closer tolerances where required.

● **STANDARD HARDNESS 65 IRHD**

(N.B. 1 daN = 1.0197 kgf)

Item	d	D	l	L	RADIAL		AXIAL		TORSIONAL		CONICAL	
					Stiffness (daN/mm)	Deflec. Max (mm)	Stiffness (daN/mm)	Deflec. Max (mm)	Stiffness (Nm/°)	Angle. Max (+/-°gradi)	Stiffness (Nm/°)	Angle. Max (+/-°gradi)
FBNS2045.4046	20,0	45,0	40,0	46,0	640	1,0	78	1,2	4,24	30°	8,40	3°
FBNS2045.5562	20,0	45,0	55,0	62,5	740	1,2	92	1,5	5,52	25°	18,98	3°
FBNS2045.5962	20,0	45,0	59,5	62,5	851	1,2	101	0,6	5,99	25°	25,50	3°
FBNS2046.3542	20,0	46,0	35,0	42,0	769	0,9	85	1,4	5,95	30°	7,51	7°
FBNS2046.4555	20,0	46,0	45,0	55,0	1228	0,9	116	2,0	7,75	25°	19,96	3°
FBNS2046.6067	20,0	46,0	60,0	67,0	765	1,3	96	1,4	5,95	20°	23,53	2°
FBNS2049.5964	20,0	49,0	59,0	64,0	743	1,3	94	0,8	5,85	25°	22,09	2°
FBNS2050.7581	20,0	50,4	75,2	80,6	2258	1,1	182	1,0	12,29	20°	104,50	2°
FBNS2050.9095	20,0	50,5	90,0	95,0	2329	1,2	195	1,0	14,00	15°	156,30	1°
FBNS2052.4052	20,0	52,0	40,0	52,0	326	1,5	57	2,4	4,83	30°	4,56	7°
FBNS2052.6060	20,0	52,0	60,0	60,0	1782	1,1	156	1,2	13,25	25°	52,23	5°
FBNS2052.6066	20,0	52,0	60,0	66,0	1782	1,1	156	1,2	13,25	25°	52,23	5°

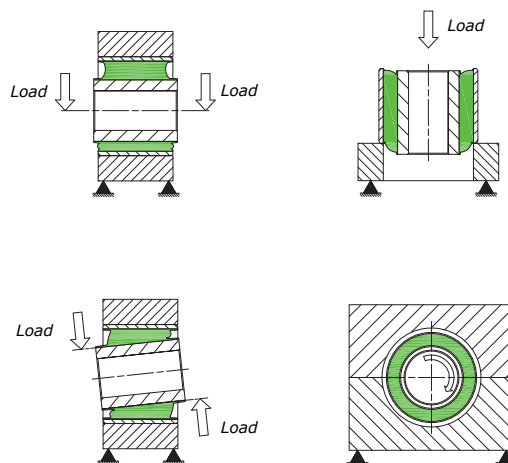
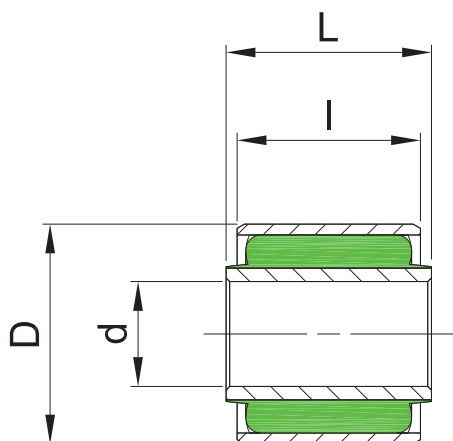
Items produced only on request. Supply quantities on request.

FIBET GROUP operates a policy of continuous improvement and development. We reserve the right to change design and specification of our products without prior notification or alteration of literature.



SEMI BONDED BUSHES

Type FBNS



INSIDE DIAMETER (d) TOLERANCES				OUTSIDE DIAMETER (D) TOLERANCES			
from	8 mm	to 15mm	-0 / +0,15	from	16 mm	to 30 mm	-0 / +0,10
from	16 mm	to 25mm	-0 / +0,30	from	31 mm	to 70mm	-0 / +0,15
from	26 mm	to 50mm	-0 / +0,40	from	71 mm	to 100 mm	-0 / +0,20
over	51 mm	to be defined		over	101 mm	to be defined	

Approximate schemes for forces and constraints

N.B. The Driving Seat must assure a minimum interference of 0.02mm, with a tolerance of -0.05mm

i.e. A Bush with an Outside Diameter of 30mm must be fitted into a hole with a dimension of 30mm -0.02/-0.05mm (i.e. 29.98 - 29.93mm)

Subject to agreement, we are able to supply products to closer tolerances where required.

● **STANDARD HARDNESS 65 IRHD**

(N.B. 1 daN = 1.0197 kgf)

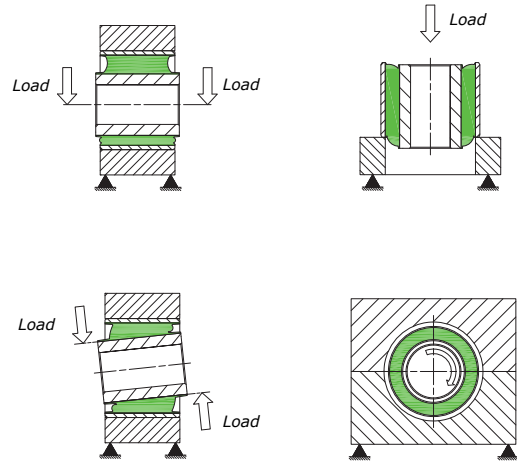
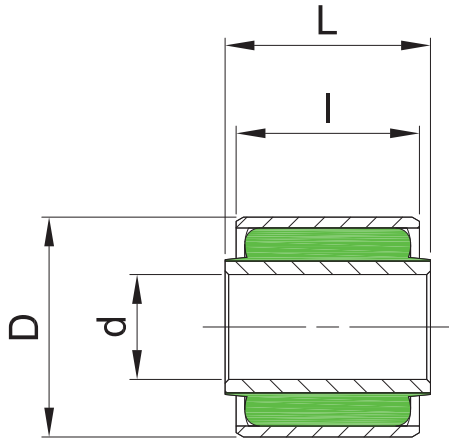
Item	d	D	l	L	RADIAL		AXIAL		TORSIONAL		CONICAL	
					Stiffness (daN/mm)	Deflec. Max (mm)	Stiffness (daN/mm)	Deflec. Max (mm)	Stiffness (Nm/°)	Angle. Max (+/-°gradi)	Stiffness (Nm/°)	Angle. Max (+/-°gradi)
FBNS2063.6672	20,2	63,0	66,5	72,5	1279	1,4	140	1,2	16,89	30°	47,66	3°
FBNS2247.7679	22,0	46,6	76,0	78,6	1892	1,1	164	0,5	10,34	20°	90,23	1°
FBNS2442.5055	24,0	42,2	50,0	55,0	3802	0,6	218	1,0	10,77	20°	73,41	3°
FBNS2442.9096	24,0	42,2	90,0	96,0	12171	0,6	504	1,2	19,75	20°	77,35	1°
FBNS2444.4858	24,0	44,5	48,0	58,0	2136	0,8	157	2,0	9,15	20°	38,69	3°
FBNS2444.7779	24,0	45,0	76,5	79,0	4160	0,8	254	5,0	14,06	15°	19,44	1°
FBNS2450.6571	24,1	50,5	65,0	71,0	1278	1,2	131	1,2	10,03	20°	45,06	2°
FBNS2450.7881	24,1	50,5	78,0	80,6	2418	1,1	191	0,5	12,76	20°	120,41	1°
FBNS2450.9095	24,1	50,5	90,0	95,0	2328	1,2	195	1,0	14,00	15°	156,36	1°
FBNS2452.5966	24,0	52,0	59,0	66,0	1726	1,1	153	1,4	13,02	20°	48,95	3°
FBNS2455.5565	24,0	55,0	55,0	65,0	987	1,3	113	2,0	11,10	25°	25,00	5°
FBNS2550.6267	25,0	50,0	62,5	67,5	1757	1,1	154	1,0	11,89	20°	56,10	1°

Items produced only on request. Supply quantities on request.



SEMI BONDED BUSHES

Type FBNS



INSIDE DIAMETER (d) TOLERANCES				OUTSIDE DIAMETER (D) TOLERANCES			
from	8 mm	to 15mm	-0 / +0,15	from	16 mm	to 30 mm	-0 / +0,10
from	16 mm	to 25mm	-0 / +0,30	from	31 mm	to 70mm	-0 / +0,15
from	26 mm	to 50mm	-0 / +0,40	from	71 mm	to 100 mm	-0 / +0,20
over	51 mm	to be defined		over	101 mm	to be defined	

Approximate schemes for forces and constraints

N.B. The Driving Seat must assure a minimum interference of 0.02mm, with a tolerance of -0.05mm

i.e. A Bush with an Outside Diameter of 30mm must be fitted into a hole with a dimension of 30mm -0.02/-0.05mm (i.e. 29.98 - 29.93mm)

Subject to agreement, we are able to supply products to closer tolerances where required.

● STANDARD HARDNESS 65 IRHD

(N.B. 1 daN = 1.0197 kgf)

Item	d	D	l	L	RADIAL		AXIAL		TORSIONAL		CONICAL	
					Stiffness (daN/mm)	Deflec. Max (mm)	Stiffness (daN/mm)	Deflec. Max (mm)	Stiffness (Nm/°)	Angle. Max (+/-°gradi)	Stiffness (Nm/°)	Angle. Max (+/-°gradi)
FBNS2550.6567	25,0	50,0	65,5	67,5	1918	1,1	164	0,4	12,49	20°	67,21	1°
FBNS2555.8993	25,0	55,0	89,5	93,0	2486	1,2	207	0,8	19,55	15°	163,10	1°
FBNS2848.6066	28,0	48,0	60,0	66,0	4035	0,8	241	0,9	15,97	20°	114,15	3°
FBNS2860.4050	28,0	60,0	40,0	50,0	1150	1,1	117	2,0	14,82	25°	14,73	5°
FBNS2860.6580	28,0	60,0	65,0	80,0	785	1,7	107	3,0	12,11	20°	28,82	2°
FBNS2860.7275	28,0	60,0	72,0	75,0	937	1,7	120	0,6	13,46	20°	42,10	2°
FBNS2863.6672	28,0	63,0	66,5	72,5	1279	1,4	140	1,2	16,89	20°	47,66	2°
FBNS3055.8994	30,0	55,0	89,5	94,0	5431	1,0	321	0,9	27,53	15°	349,00	1°
FBNS3057.97102	30,1	57,0	97,5	102,0	8553	0,9	431	0,9	35,95	15°	647,96	1°
FBNS3060.5055	30,0	60,0	50,0	55,0	1108	1,2	120	1,0	13,55	25°	22,83	3°
FBNS3060.6068	30,0	60,0	60,0	68,0	1194	1,4	131	1,6	15,53	20°	35,98	2°
FBNS3063.6672	30,0	63,0	66,5	72,5	1279	1,4	140	1,2	16,88	30°	47,66	3°
FBNS3256.5055	32,0	56,0	50,0	55,0	1498	1,1	139	1,0	14,50	25°	30,29	5°

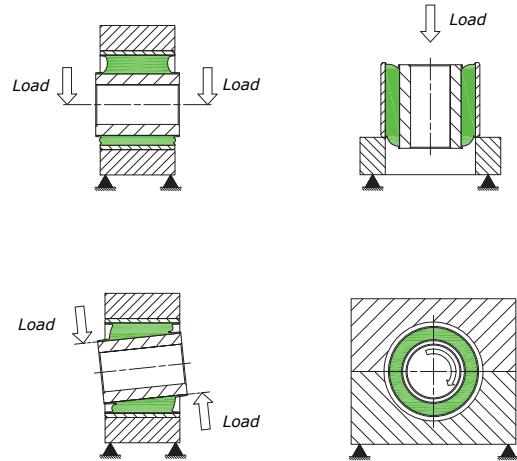
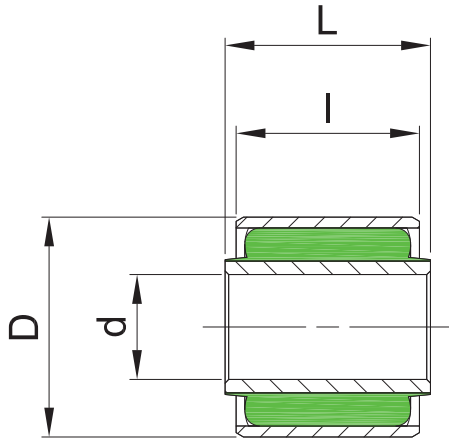
Items produced only on request. Supply quantities on request.

FIBET GROUP operates a policy of continuous improvement and development. We reserve the right to change design and specification of our products without prior notification or alteration of literature.



SEMI BONDED BUSHES

Type FBNS



INSIDE DIAMETER (d) TOLERANCES

from	8 mm	to 15mm	-0 / +0,15
from	16 mm	to 25mm	-0 / +0,30
from	26 mm	to 50mm	-0 / +0,40
over	51 mm	to be defined	

OUTSIDE DIAMETER (D) TOLERANCES

from	16 mm	to 30 mm	-0 / +0,10
from	31 mm	to 70mm	-0 / +0,15
from	71 mm	to 100 mm	-0 / +0,20
over	101 mm	to be defined	

Approximate schemes for forces and constraints

N.B. The Driving Seat must assure a minimum interference of 0.02mm, with a tolerance of -0.05mm

i.e. A Bush with an Outside Diameter of 30mm must be fitted into a hole with a dimension of 30mm -0.02/-0.05mm (i.e. 29.98 - 29.93mm)

Subject to agreement, we are able to supply products to closer tolerances where required.

● **STANDARD HARDNESS 65 IRHD**

(N.B. 1 daN = 1.0197 kgf)

Item	d	D	l	L	RADIAL		AXIAL		TORSIONAL		CONICAL	
					Stiffness (daN/mm)	Deflec. Max (mm)	Stiffness (daN/mm)	Deflec. Max (mm)	Stiffness (Nm/°)	Angle. Max (+/-°gradi)	Stiffness (Nm/°)	Angle. Max (+/-°gradi)
FBNS3260.6584	32,5	60,0	65,0	84,0	1380	1,4	144	3,8	16,86	25°	48,76	3°
FBNS3270.9095	32,0	70,0	90,0	95,0	1239	1,9	150	1,0	21,04	20°	87,22	2°
FBNS3559.102111	35,0	59,0	102,0	111,0	10966	0,9	516	1,8	48,35	15°	906,75	1°
FBNS3866.5560	38,0	66,0	55,0	60,0	1478	1,3	148	1,0	22,16	20°	36,75	3°
FBNS4066.8696	40,0	66,0	86,0	96,0	9752	0,9	474	2,0	57,06	15°	570,20	1°
FBNS5080.100110	50,0	80,0	100,0	110,0	8639	1,2	468	2,0	83,41	15°	69,26	1°
FBNS60110.120	60,0	110,0	110,0	120,0	5827	1,8	410	2,0	162,63	15°	579,50	2°
FBNS80140.120	80,0	140,0	110,0	120,0	9892	1,8	587	2,0	379,00	15°	969,00	2°
FBNS80140.180	80,0	140,0	170,0	180,0	22992	1,8	107	2,0	590,00	15°	5361,00	1°
FBNS86150.200	86,0	150,0	180,0	200,0	49200	1,5	181	4,0	907,50	15°	12714,00	1°
FBNS100140.120	100,0	140,0	110,0	120,0	12814	1,7	685	2,0	424,00	15°	1246,00	1°
FBNS110160.180	110,0	160,0	170,0	180,0	50791	1,5	1857	2,0	1069,00	15°	11688,00	1°
FBNS124180.230	124,0	180,0	220,0	230,0	49319	2,0	1926	2,0	1506,00	15°	19174,00	1°

Items produced only on request. Supply quantities on request.

FIBET GROUP operates a policy of continuous improvement and development. We reserve the right to change design and specification of our products without prior notification or alteration of literature.