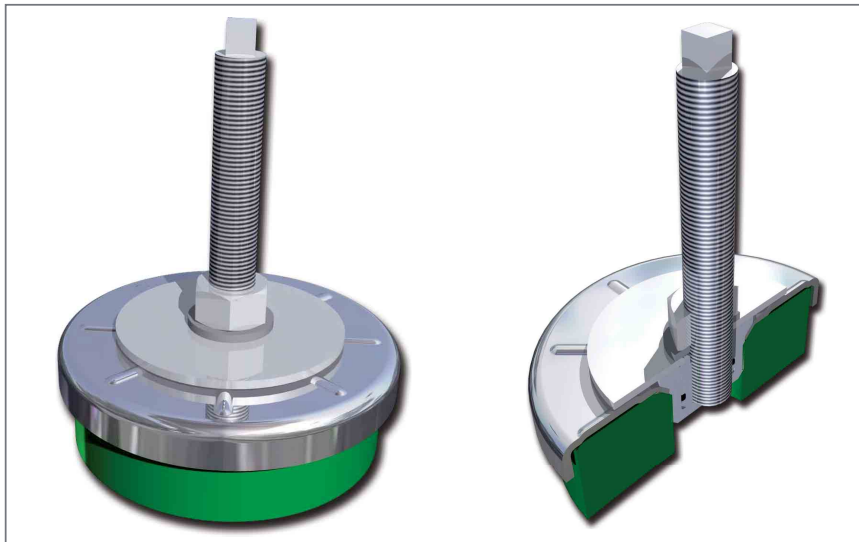




Series of mounts utilised as support for various plant and machinery. They come in various sizes, from 8 to 200 mm diameter, with loads applied from 500 daN (approx. 510kg) to 4,000 daN (approx. 4,079kg).



STANDARD PRODUCTION

Plates: Steel DC04 (UNI EN 10130)

Washers: Steel DD12 (UNI EN 10111)

Nuts: Resistance class 4 Bolts: Resistance class 4.8

Other metal components: 11SMnPb 37 (UNI EN 10087)

Natural rubber NR

Zinc plated in accordance with CE standards CHROME VI free, white

Stiffness tolerance +/- 20%

APPLICATION

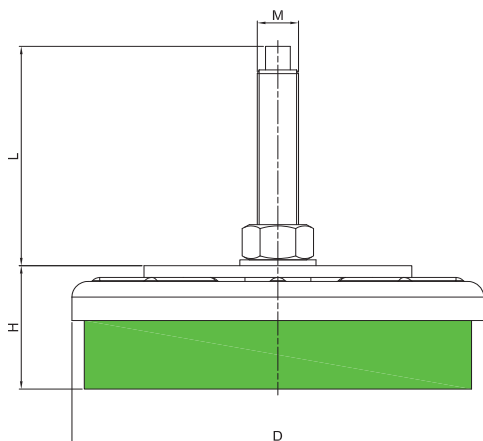
- Engines • Tooling machinery • Pumps
- Special equipment • HVAC • Gensets

OPTIONS & ADDITIONAL PARTS

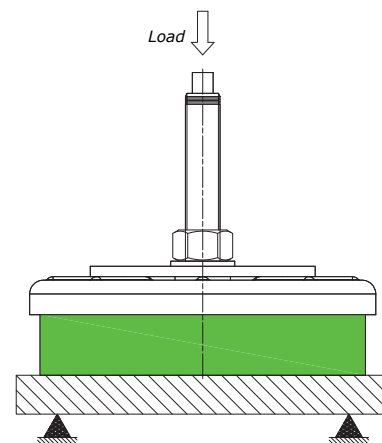
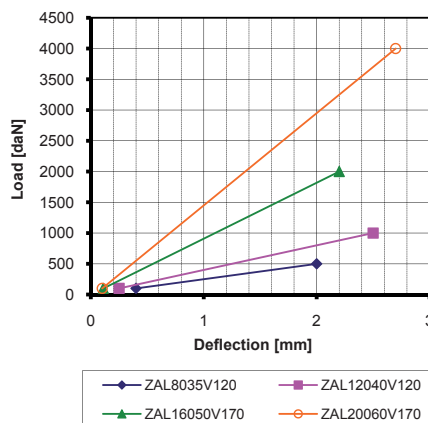
NEOPRENE CR and Anti-oil NBR version

Bolt and nuts higher class resistance version

Bolt specific length in accordance to customer's drawing



Load/Deflection Chart for ZAL MOUNTS



(N.B. 1 daN = 1.0197 kgf)

Item	Hardness (IRHD)	D	H min.	H max.	M	L min	L max	Average Stiffness (daN/mm)	Max Load (daN)	Max Deflec. (mm)
ZAL8035V120	80	80	35	46	M12X1,25	87	98	250	500	2,0
ZAL12040V120	80	120	40	51	M16X1,5	93	104	400	1000	2,5
ZAL16050V170	80	160	50	63	M20X1,5	125	138	900	2000	2,2
ZAL20060V170	80	200	60	73	M20X1,5	125	138	1500	4000	2,7