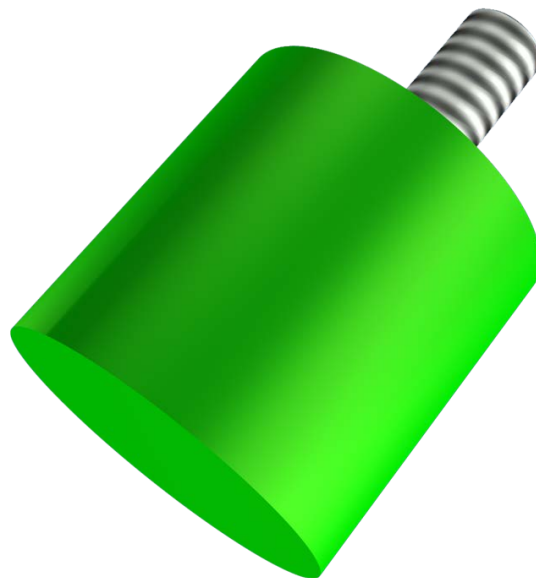




An extensive range of mounts used for a wide number of applications.

The mounts are designed to prevent shocks and overloading,  
thanks to their progressive absorption.

They come in various sizes, from 8 to 150mm, with loads applied from  
2daN (approx. 2kg) to over 1,000 daN (approx. 1,020kg).



### STANDARD PRODUCTION

**Cold formed screws and nuts**

Nuts: Class 4    Screws: Class 4.8

**Welded screws and nuts**

Washer: DD12 steel UNI 10111

Nuts: Class 4    Screws: Class 4.8

Natural rubber NR

Zinc plated in accordance with CE standards CHROME VI free, white

Stiffness tolerance +/- 20%

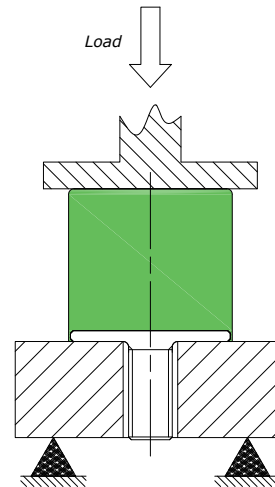
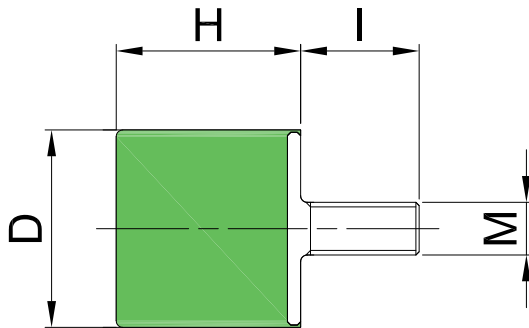
### APPLICATIONS

- Engines    • Tooling machinery    • Pump
- Special equipment    • HVAC    • Gensets



**MALE CYLINDRICAL BUFFERS**

**Type VE**



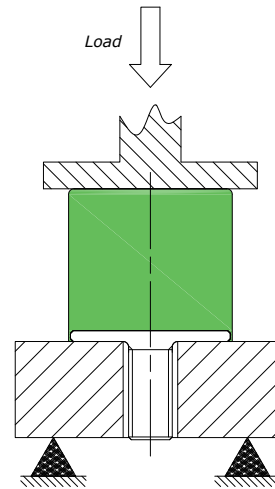
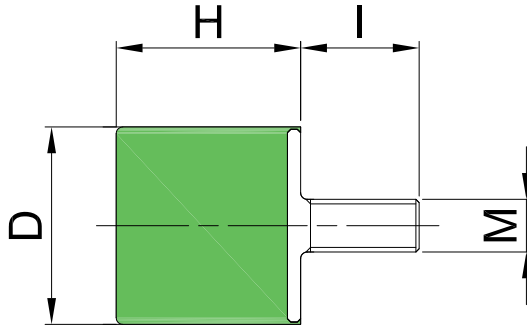
(N.B. 1 daN = 1.0197 kgf)

Item	D	H	M x I	Stiffness 45 IRHD (daN/mm)	Stiffness 60 IRHD (daN/mm)	Stiffness 70 IRHD (daN/mm)	Max static deflection (mm)
<b>0808VE06</b>	8	8	M3X06	2,9	5,0	7,1	1,6
<b>1008VE10</b>	10	8	M4X10	3,6	6,7	9,3	1,6
<b>1413VE10</b>	14	13	M4X10	3,4	6,6	9,1	2,6
<b>1508VE10</b>	15	8	M4X10	11,8	21,7	30,0	1,6
<b>1610VE10</b>	16	10	M4X12	8,2	15,4	21,3	2,0
<b>1610VE12</b>	16	10	M5X12	8,2	15,4	21,3	2,0
<b>1615VE10</b>	16	15	M4X10	4,2	7,6	10,7	3,0
<b>1620VE10</b>	16	20	M4X10	2,4	4,5	6,3	4,0
<b>1885VE18</b>	18	9	M6X18	15,1	28,2	39,2	1,7
<b>2008VE18</b>	20	8	M6X18	17,7	32,4	44,8	1,6
<b>2012VE18</b>	20	12	M6X18	10,2	18,9	26,0	2,4
<b>2015VE18</b>	20	15	M6X18	6,9	13,1	18,0	3,0
<b>2020VE18</b>	20	20	M6X18	4,0	7,4	10,2	4,0
<b>2025VE18</b>	20	25	M6X18	2,8	5,2	7,2	5,0
<b>2030VE18</b>	20	30	M6X18	1,8	3,3	4,6	6,0
<b>2508VE18</b>	25	8	M6X18	31,0	59,5	83,3	1,6
<b>2508VE20</b>	25	8	M8X20	31,0	59,5	83,3	1,6



MALE CYLINDRICAL BUFFERS

Type VE



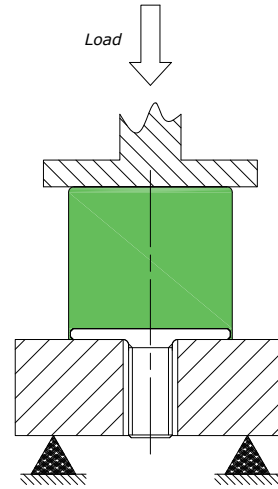
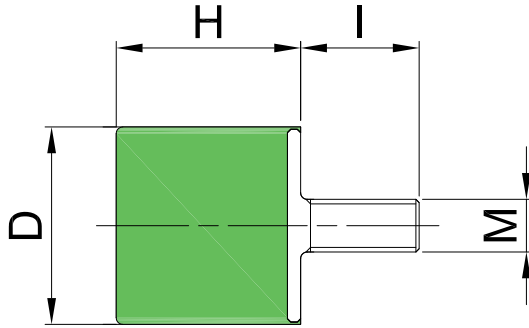
(N.B. 1 daN = 1.0197 kgf)

Item	D	H	M x I	Stiffness 45 IRHD (daN/mm)	Stiffness 60 IRHD (daN/mm)	Stiffness 70 IRHD (daN/mm)	Max static deflection (mm)
2510VE20	25	10	M8X20	24,8	47,6	66,7	2,0
2515VE18	25	15	M6X18	13,8	26,4	37,0	3,0
2517VE18	25	17	M6X18	12,5	22,9	31,6	3,4
2519VE20	25	19	M8X20	10,6	19,4	26,9	3,8
2520VE18	25	20	M6X18	9,6	17,7	24,0	4,0
2520VE20	25	20	M8X20	9,6	17,7	24,0	4,0
2522VE20	25	22	M8X20	7,4	13,8	18,4	4,4
2525VE18	25	25	M6X18	5,4	10,1	14,0	5,0
2530VE20	25	30	M8X20	4,0	7,4	9,8	6,0
3015VE20	30	15	M8X20	17,9	33,5	46,9	3,0
3017VE20	30	17	M8X20	14,7	27,1	37,4	3,4
3020VE20	30	20	M8X20	11,5	21,6	29,5	4,0
3022VE20	30	22	M8X20	8,4	15,5	21,3	4,4
3025VE20	30	25	M8X20	6,7	11,1	15,3	5,0
3030VE20	30	30	M8X20	4,7	8,6	11,8	6,0
3040VE20	40	40	M8X20	3,6	6,5	9,0	8,0
4020VE23	40	20	M8X23	23,6	44,4	63,5	4,0



**MALE CYLINDRICAL BUFFERS**

**Type VE**



(N.B. 1 daN = 1.0197 kgf)

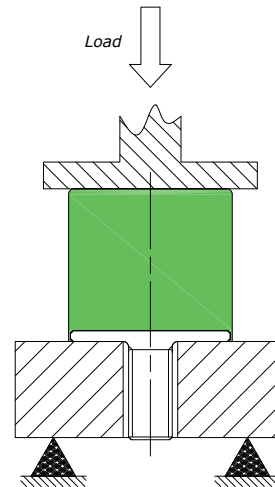
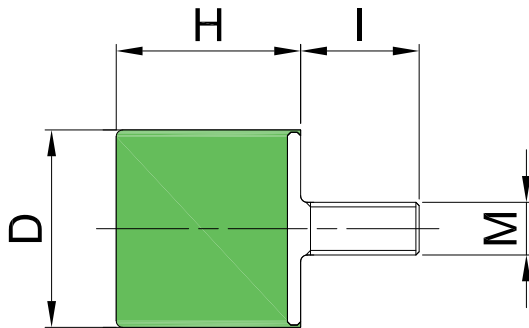
Item	D	H	M x I	Stiffness 45 IRHD (daN/mm)	Stiffness 60 IRHD (daN/mm)	Stiffness 70 IRHD (daN/mm)	Max static deflection (mm)
4020VE25	40	20	M10X25	23,6	44,4	63,5	4,0
4025VE25	40	25	M10X25	16,6	31,1	42,9	5,0
4027VE23	40	27	M8X23	14,0	26,0	35,6	5,4
4028VE25	40	28	M10X25	14,0	26,0	35,6	5,6
4030VE23	40	30	M8X23	11,8	22,2	30,8	6,0
4030VE25	40	30	M10X25	11,8	22,2	30,8	6,0
4035VE23	40	35	M8X23	9,0	16,7	23,2	7,0
4035VE25	40	35	M10X25	9,0	16,7	23,2	7,0
4040VE23	40	40	M8X23	7,4	13,9	19,0	8,0
4040VE25	40	40	M10X25	7,4	13,9	19,0	8,0
4045VE25	40	45	M10X25	6,3	11,9	16,4	9,0
5015VE25	50	15	M10X25	57,5	107,2	147,6	3,0
5020VE28	50	20	M10X28	52,3	97,3	134,3	4,0
5021VE25	50	21	M10X25	50,0	93,2	128,4	4,2
5025VE25	50	25	M10X25	36,6	68,0	93,9	5,0
5030VE25	50	30	M10X25	25,1	46,2	64,1	6,0
5035VE25	50	35	M10X25	18,9	33,8	46,5	7,0

FIBET GROUP operates a policy of continuous improvement and development. We reserve the right to change design and specification of our products without prior notification or alteration of literature.



**MALE CYLINDRICAL BUFFERS**

**Type VE**



(N.B. 1 daN = 1.0197 kgf)

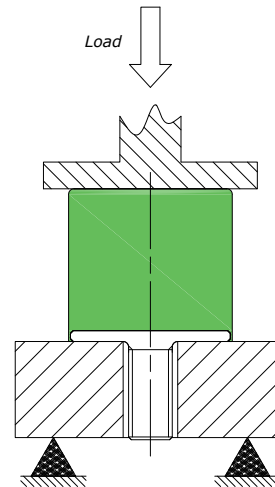
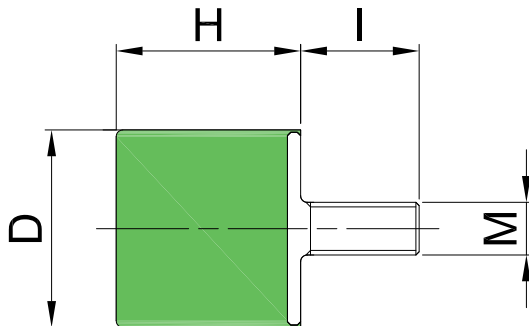
Item	D	H	M x I	Stiffness 45 IRHD (daN/mm)	Stiffness 60 IRHD (daN/mm)	Stiffness 70 IRHD (daN/mm)	Max static deflection (mm)
5040VE25	50	40	M10X25	13,0	24,0	33,2	8,0
5045VE25	50	45	M10X25	10,2	18,9	26,3	9,0
5050VE25	50	50	M10X25	8,3	15,5	21,4	10,0
5822VE25	58	22	M10X25	70,6	131,6	159,3	4,4
6025VE25	60	25	M10X25	59,8	97,4	153,7	5,0
6030VE37	60	30	M12X37	42,3	77,6	107,0	6,0
6036VE25	60	36	M10X25	33,7	62,7	86,2	7,2
6036VE37	60	36	M12X37	33,7	62,7	86,2	7,2
6040VE25	60	40	M10X25	27,5	51,1	69,6	8,0
6040VE37	60	40	M12X37	27,5	51,1	69,6	8,0
6045VE25	60	45	M10X25	22,0	40,8	56,4	9,0
6045VE37	60	45	M12X37	22,0	40,8	56,4	9,0
6050VE37	60	50	M12X37	17,5	32,4	44,8	10,0
6055VE37	60	55	M12X37	15,0	27,9	38,3	11,0
6535VE25	65	35	M10X25	39,7	73,9	102,4	7,0
6545VE37	65	45	M12X37	23,5	43,6	60,4	9,0
6550VE37	65	50	M12X37	17,7	32,5	45,1	10,0

FIBET GROUP operates a policy of continuous improvement and development. We reserve the right to change design and specification of our products without prior notification or alteration of literature.



MALE CYLINDRICAL BUFFERS

Type VE



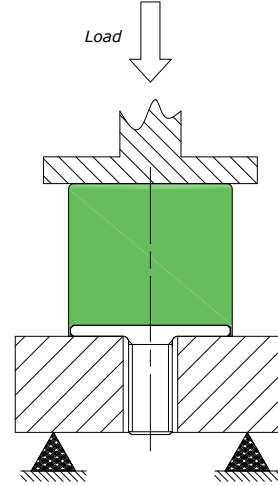
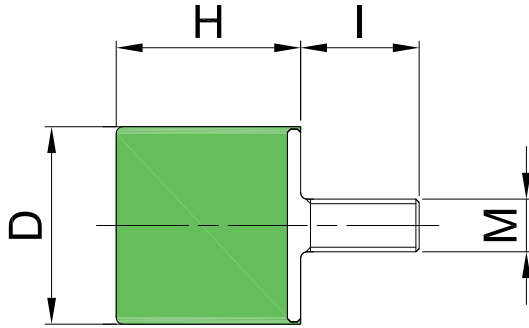
(N.B. 1 daN = 1.0197 kgf)

Item	D	H	M x I	Stiffness 45 IRHD (daN/mm)	Stiffness 60 IRHD (daN/mm)	Stiffness 70 IRHD (daN/mm)	Max static deflection (mm)
7030VE25	70	30	M10X25	65,5	122,0	167,6	6,0
7030VE37	70	30	M12X37	65,5	122,0	167,6	6,0
7035VE25	70	35	M10X25	47,7	95,1	130,9	7,0
7035VE37	70	35	M12X37	47,7	95,1	130,9	7,0
7040VE25	70	40	M10X25	37,7	70,2	97,0	8,0
7040VE37	70	40	M12X37	37,7	70,2	97,0	8,0
7045VE25	70	45	M10X25	29,6	55,0	73,9	9,0
7045VE37	70	45	M12X37	29,6	55,0	73,9	9,0
7050VE25	70	50	M10X25	23,6	44,3	61,3	10,0
7050VE37	70	50	M12X37	23,6	44,3	61,3	10
7060VE25	70	60	M10X25	19,5	35,7	49,3	12
7060VE37	70	60	M12X37	19,5	35,7	49,3	12
7070VE25	70	70	M10X25	15,8	29,0	40,1	14
7070VE37	70	70	M12X37	15,8	29,0	40,1	14
7525VE37	75	25	M12X37	107,6	204,0	280,8	5
7530VE37	75	30	M12X37	89,3	166,2	229,5	6
7540VE37	75	40	M12X37	40,6	91,4	124,8	8



**MALE CYLINDRICAL BUFFERS**

**Type VE**



(N.B. 1 daN = 1.0197 kgf)

Item	D	H	M x I	Stiffness 45 IRHD (daN/mm)	Stiffness 60 IRHD (daN/mm)	Stiffness 70 IRHD (daN/mm)	Max static deflection (mm)
<b>7550VE37</b>	75	50	M12X37	30,2	56,2	77,6	10
<b>7555VE37</b>	75	55	M12X37	23,6	44,3	61,1	11
<b>8030VE35</b>	80	30	M14X35	104,4	197,1	271,0	6
<b>8040VE35</b>	80	40	M14X35	55,4	103,4	143,1	8
<b>8050VE35</b>	80	50	M14X35	38,2	69,1	95,3	10
<b>8060VE35</b>	80	60	M14X35	24,6	46,2	63,4	12
<b>8070VE35</b>	80	70	M14X35	19,0	35,4	48,5	14
<b>8080VE35</b>	80	80	M14X35	15,1	27,9	38,3	16
<b>10030VE44</b>	100	30	M16X44	158,7	397,1	535,7	6
<b>10040VE44</b>	100	40	M16X44	106,7	198,0	270,8	8
<b>10050VE44</b>	100	50	M16X44	64,4	119,8	165,6	10
<b>10055VE44</b>	100	55	M16X44	53,9	101,9	138,5	11
<b>10060VE44</b>	100	60	M16X44	44,0	81,4	112,3	12
<b>100100VE44</b>	100	100	M16X44	16,8	31,2	43,0	20

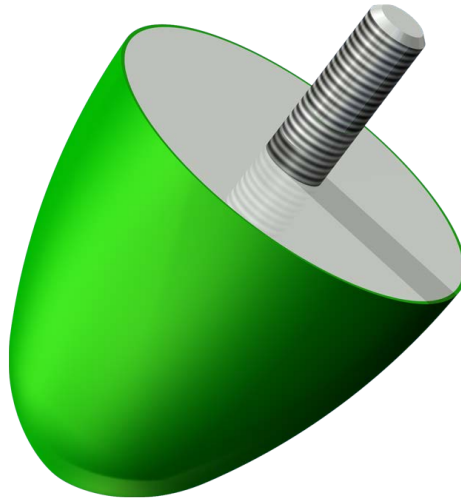
FIBET GROUP operates a policy of continuous improvement and development. We reserve the right to change design and specification of our products without prior notification or alteration of literature.



An extensive range of mounts used for a wide number of applications.

The mounts are designed to prevent shocks and overloading,  
thanks to their progressive absorption.

They come in various sizes, from 8 to 150mm, with loads applied from  
a few Newtons to over 1,000 daN (approx. 1,020kg).



### STANDARD PRODUCTION

**Cold formed screws and nuts**

Nuts: Class 4    Screws: Class 4.8

**Welded screws and nuts**

Washer: DD12 steel UNI 10111

Nuts: Class 4    Screws: Class 4.8

Natural rubber NR

Zinc plated in accordance with CE standards CHROME VI free, white

Stiffness tolerance +/- 20%

### APPLICATIONS

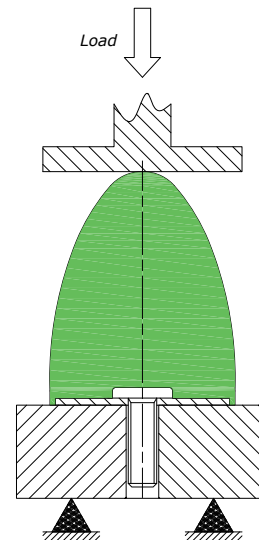
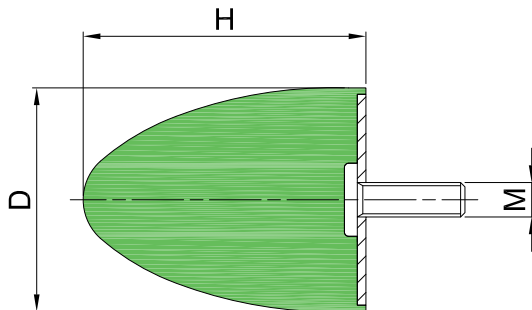
- Engines    • Tooling machinery    • Pump
- Special equipment    • HVAC    • Gensets





MALE CONICAL BUFFERS

Type VP



(N.B. 1 daN = 1.0197 kgf)

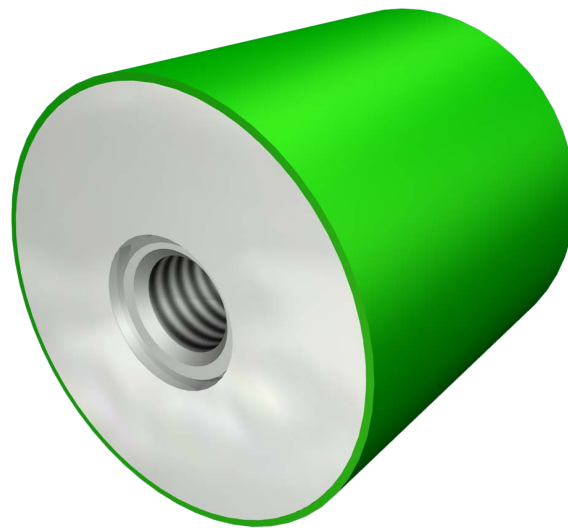
Item	D	H	M x l	Stiffness 45 IRHD (daN/mm)	Stiffness 60 IRHD (daN/mm)	Stiffness 70 IRHD (daN/mm)	Max static deflection (mm)
2425VP18	24	25	M6X18	5,6	8,2	11,4	5,0
2435VP18	24	35	M6X18	3,5	5,1	7,1	7,0
3030VP14	30	30	M6X14	4,9	7,2	9,9	6,0
3036VP14	30	36	M6X14	5,5	8,0	10,8	7,2
4530VP23	45	30	M8X23	12,8	18,6	25,6	6,0
5050VP23	50	50	M8X23	5,7	7,1	10,1	10,0
5050VP25	50	50	M10X25	5,7	7,1	10,1	10,0
5067VP33	50	67	M8X33	4,9	7,1	9,8	13,4
6060VP37	60	60	M12X37	13,0	19,1	26,3	12,0
10083VP44	100	83	M16X44	29,4	43,0	59,3	16,6
10095VP31	100	95	M12X31	9,4	18,8	28,3	19,0
10095VP44	100	95	M16X44	9,4	18,8	28,3	19,0
100120VP31	100	120	M12X31	7,0	14,0	21,0	24,0
100120VP44	100	120	M16X44	7,0	14,0	21,0	24,0



An extensive range of mounts used for a wide number of applications.

The mounts are designed to prevent shocks and overloading,  
thanks to their progressive absorption.

They come in various sizes, from 8 to 150mm, with loads applied from  
2daN (approx. 2kg) to over 1,000 daN (approx. 1,020kg).



### STANDARD PRODUCTION

**Cold formed screws and nuts**

Nuts: Class 4    Screws: Class 4.8

**Welded screws and nuts**

Washer: DD12 steel UNI 10111

Nuts: Class 4    Screws: Class 4.8

Natural rubber NR

Zinc plated in accordance with CE standards CHROME VI free, white

Stiffness tolerance +/- 20%

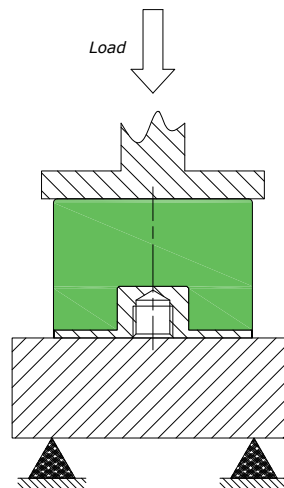
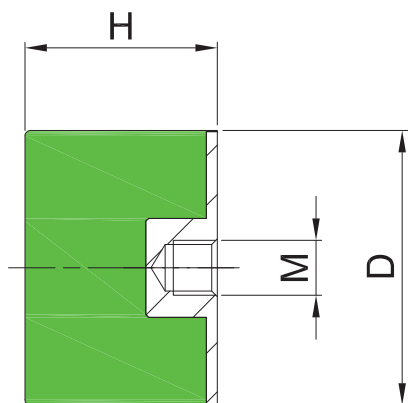
### APPLICATIONS

- Engines    • Tooling machinery    • Pump
- Special equipment    • HVAC    • Gensets



FEMALE CYLINDRICAL BUFFERS

Type DE



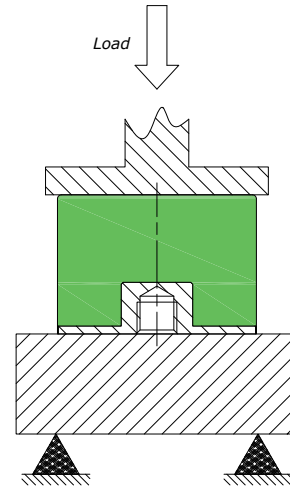
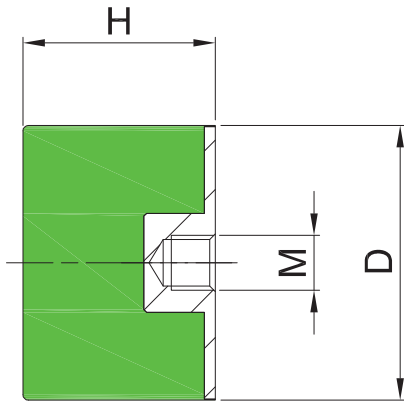
(N.B. 1 daN = 1.0197 kgf)

Item	D	H	M	Stiffness 45 IRHD (daN/mm)	Stiffness 60 IRHD (daN/mm)	Stiffness 70 IRHD (daN/mm)	Max static deflection (mm)
1610DE04	16	10	M4	8,1	13,3	17,9	2,0
1610DE05	16	10	M5	8,1	13,3	17,9	2,0
1615DE04	16	15	M4	4,3	7,7	10,8	3,0
1615DE05	16	15	M5	4,3	7,7	10,8	3,0
1620DE04	16	20	M4	2,4	4,4	6,1	4,0
1620DE05	16	20	M5	2,4	4,4	6,1	4,0
2015DE06	20	15	M6	7,0	13,3	18,4	3,0
2020DE06	20	20	M6	4,0	7,5	10,4	4,0
2025DE06	20	25	M6	2,9	5,5	7,7	5,0
2030DE06	20	30	M6	2,0	3,7	5,2	6,0
2515DE06	25	15	M6	14,0	26,9	37,7	3,0
2517DE06	25	17	M6	12,1	22,6	31,4	3,4
2520DE06	25	20	M6	9,8	18,1	24,5	4,0
2520DE08	25	20	M8	9,8	18,1	24,5	4,0
2522DE08	25	22	M8	7,9	14,5	20,0	4,4
2525DE06	25	25	M6	5,5	10,3	14,3	5,0
2525DE08	25	25	M8	5,5	10,3	14,3	5,0
2530DE08	25	30	M8	4,0	7,6	10,0	6,0



FEMALE CYLINDRICAL BUFFERS

Type DE



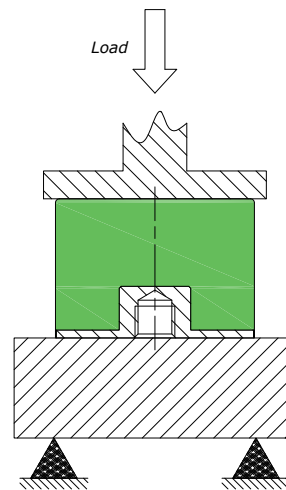
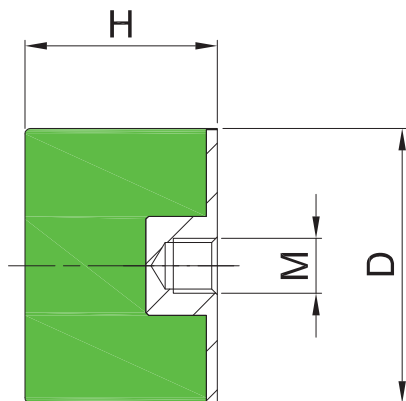
(N.B. 1 daN = 1.0197 kgf)

Item	D	H	M	Stiffness 45 IRHD (daN/mm)	Stiffness 60 IRHD (daN/mm)	Stiffness 70 IRHD (daN/mm)	Max static deflection (mm)
3015DE08	30	15	M8	18,3	34,2	47,7	3,0
3017DE08	30	17	M8	14,9	29,0	39,2	3,4
3020DE08	30	20	M8	11,7	19,8	30,2	4,0
3022DE08	30	22	M8	9,8	18,0	24,8	4,4
3025DE08	30	25	M8	6,8	12,8	16,0	5,0
3030DE08	30	30	M8	5,4	10,0	13,8	6,0
3040DE08	30	40	M8	4,0	7,3	10,1	8,0
4020DE08	40	20	M8	24,1	45,3	62,3	4,0
4020DE10	40	20	M10	24,1	45,3	62,3	4,0
4025DE10	40	25	M10	16,9	31,7	43,7	5,0
4027DE08	40	27	M8	14,2	26,3	36,1	5,4
4028DE10	40	28	M10	13,8	25,6	35,0	5,6
4030DE08	40	30	M8	12,1	22,6	31,5	6,0
4030DE10	40	30	M10	12,1	22,6	31,5	6,0
4035DE08	40	35	M8	9,1	17,0	23,7	7,0
4035DE10	40	35	M10	9,1	17,0	23,7	7,0
4040DE08	40	40	M8	6,8	14,1	19,3	8,0
4040DE10	40	40	M10	6,8	14,1	19,3	8,0



FEMALE CYLINDRICAL BUFFERS

Type DE



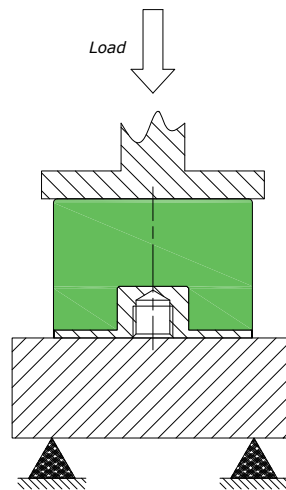
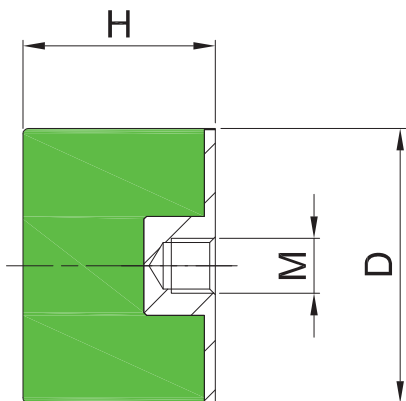
(N.B. 1 daN = 1.0197 kgf)

Item	D	H	M	Stiffness 45 IRHD (daN/mm)	Stiffness 60 IRHD (daN/mm)	Stiffness 70 IRHD (daN/mm)	Max static deflection (mm)
4045DE10	40	45	M10	6,4	12,2	16,8	9,0
5021DE10	50	21	M10	53,6	100,0	137,7	4,2
5025DE10	50	25	M10	37,4	69,3	95,8	5,0
5030DE10	50	30	M10	25,6	47,1	65,4	6,0
5035DE10	50	35	M10	18,5	34,5	47,5	7,0
5040DE10	50	40	M10	13,2	24,5	33,9	8,0
5045DE10	50	45	M10	10,4	19,3	26,8	z
5050DE10	50	50	M10	8,5	15,8	21,9	10,0
5822DE10	58	22	M10	85,3	156,7	216,5	4,4
6025DE10	60	25	M10	64,0	104,1	164,4	5,0
6036DE10	60	36	M10	34,4	64,0	88,0	7,2
6036DE12	60	36	M12	34,4	64,0	88,0	7,2
6040DE10	60	40	M10	28,1	52,2	70,9	8,0
6040DE12	60	40	M12	28,1	52,2	70,9	8,0
6045DE10	60	45	M10	22,4	41,6	57,6	9,0
6045DE12	60	45	M12	22,4	41,6	57,6	9,0
6050DE12	60	50	M12	17,9	33,1	45,7	10,0
6055DE12	60	55	M12	14,7	27,1	37,3	11,0



FEMALE CYLINDRICAL BUFFERS

Type DE



(N.B. 1 daN = 1.0197 kgf)

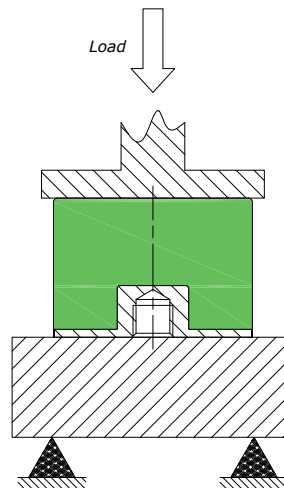
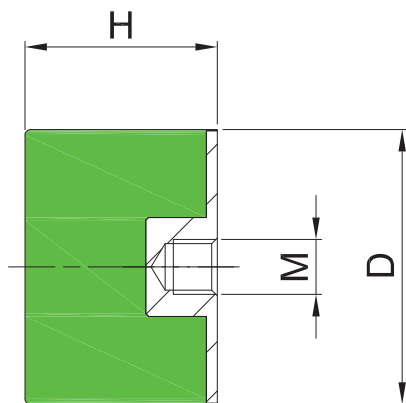
Item	D	H	M	Stiffness 45 IRHD (daN/mm)	Stiffness 60 IRHD (daN/mm)	Stiffness 70 IRHD (daN/mm)	Max static deflection (mm)
6535DE10	65	35	M10	40,5	75,4	104,5	7,0
6545DE12	65	45	M12	23,5	43,6	60,4	9,0
6550DE12	65	50	M12	18,1	33,2	46,0	10,0
7030DE10	70	30	M10	66,8	124,4	169,8	6,0
7030DE12	70	30	M12	66,8	124,4	169,8	6,0
7035DE10	70	35	M10	48,7	96,9	133,7	7,0
7035DE12	70	35	M12	48,7	96,9	133,7	7,0
7040DE10	70	40	M10	38,5	71,6	99,0	8,0
7040DE12	70	40	M12	38,5	71,6	99,0	8,0
7045DE10	70	45	M10	30,2	56,1	75,3	9,0
7045DE12	70	45	M12	30,2	56,1	75,3	9,0
7050DE10	70	50	M10	24,1	45,3	62,6	10,0
7050DE12	70	50	M12	24,1	45,3	62,6	10,0
7060DE10	70	60	M10	19,9	36,4	50,3	12,0
7060DE12	70	60	M12	19,9	36,4	50,3	12,0
7070DE10	70	70	M10	16,1	29,7	40,9	14,0
7070DE12	70	70	M12	16,1	29,7	40,9	14,0
7525DE12	75	25	M12	109,7	208,0	286,5	5,0

FIBET GROUP operates a policy of continuous improvement and development. We reserve the right to change design and specification of our products without prior notification or alteration of literature.



FEMALE CYLINDRICAL BUFFERS

Type DE

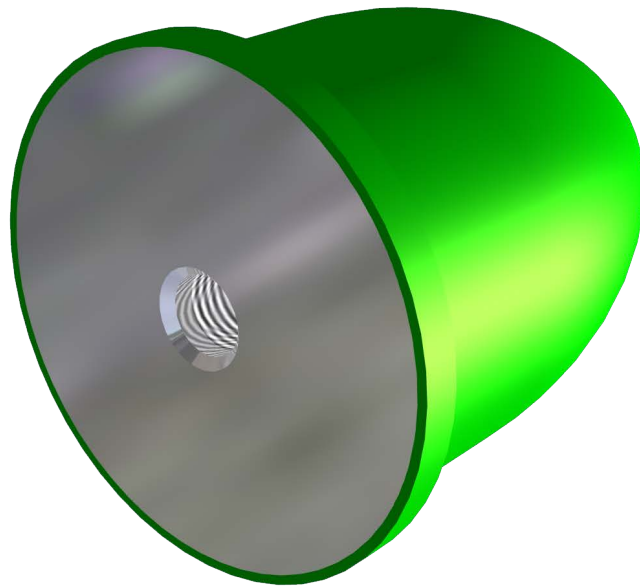


(N.B. 1 daN = 1.0197 kgf)

Item	D	H	M	Stiffness 45 IRHD (daN/mm)	Stiffness 60 IRHD (daN/mm)	Stiffness 70 IRHD (daN/mm)	Max static deflection (mm)
7540DE12	75	40	M12	41,5	93,3	114,3	8,0
7550DE12	75	50	M12	30,8	57,3	79,2	10,0
7555DE12	75	55	M14	24,1	45,2	62,3	11,0
8030DE14	80	30	M14	106,7	201,1	276,6	6,0
8040DE14	80	40	M14	56,6	105,6	146,2	8,0
8050DE14	80	50	M14	37,4	70,5	97,3	10,0
8060DE14	80	60	M14	25,1	47,2	64,8	12,0
8070DE14	80	70	M14	19,4	36,1	49,6	14,0
8080DE14	80	80	M14	15,8	29,2	40,1	16
10030DE16	100	30	M16	161,9	405,3	546,7	6
10040DE16	100	40	M16	108,9	202,1	276,3	8
10050DE16	100	50	M16	68,2	127,0	175,4	10
10055DE16	100	55	M16	57,2	108,0	146,8	11
10060DE16	100	60	M16	46,7	86,3	119,1	12
100100DE16	100	100	M16	15,9	29,4	40,5	20



An extensive range of mounts used for a wide number of applications.  
 The mounts are designed to prevent shocks and overloading,  
 thanks to their progressive absorption.  
 They come in various sizes, from 8 to 150mm, with loads applied from  
 a few Newtons to over 1,000 daN (approx. 1,020kg).



**STANDARD PRODUCTION**

**Cold formed screws and nuts**

Nuts: Class 4    Screws: Class 4.8

**Welded screws and nuts**

Washer: DD12 steel UNI 10111

Nuts: Class 4    Screws: Class 4.8

Natural rubber NR

Zinc plated in accordance with CE standards CHROME VI free, white

Stiffness tolerance +/- 20%

**APPLICATIONS**

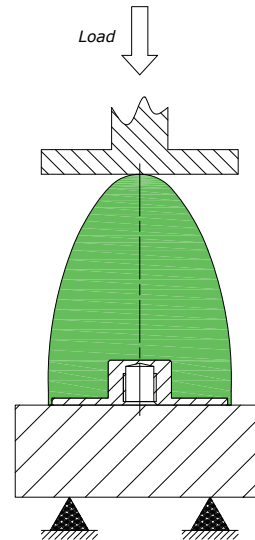
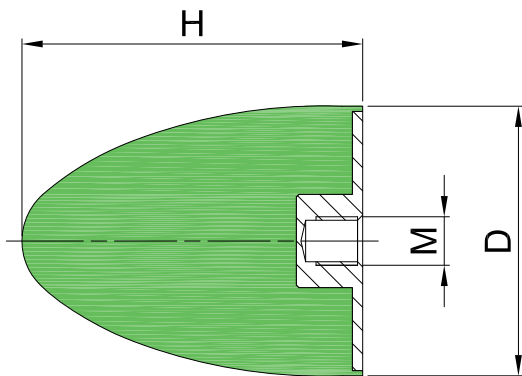
- Engines    • Tooling machinery    • Pump
- Special equipment    • HVAC    • Gensets





FEMALE CONICAL BUFFERS

Type DP



(N.B. 1 daN = 1.0197 kgf)

Item	D	H	M	Stiffness 45 IRHD (daN/mm)	Stiffness 60 IRHD (daN/mm)	Stiffness 70 IRHD (daN/mm)	Max static deflection (mm)
2425DP06	24	25	M6	5,8	8,5	11,5	5,0
2435DP06	24	35	M6	3,7	5,3	7,2	7,0
3030DP06	30	30	M6	5,1	7,3	10,0	6,0
3036DP06	30	36	M6	5,6	8,1	10,9	7,2
4530DP08	45	30	M8	12,8	18,6	25,6	6,0
5050DP08	50	50	M8	5,8	7,1	9,9	10,0
5050DP10	50	50	M10	5,8	7,1	9,9	10,0
5067DP08	50	67	M8	5,0	7,3	10,0	13,4
6060DP12	60	60	M12	13,3	19,5	27,0	12,0
10083DP16	100	83	M16	30,1	44,1	60,7	16,6



An extensive range of mounts used for a wide number of applications.

The mounts are designed to prevent shocks and overloading,  
thanks to their progressive absorption.

They come in various sizes, from 8 to 150mm, with loads applied from  
a few Newtons to over 1,000 daN (approx. 1,020kg).



**STANDARD PRODUCTION**

**Cold formed screws and nuts**

Nuts: Class 4 Screws: Class 4.8

**Welded screws and nuts**

Washer: DD12 steel UNI 10111

Nuts: Class 4 Screws: Class 4.8

Natural rubber NR

Zinc plated in accordance with CE standards CHROME VI free, white

Stiffness tolerance +/- 20%

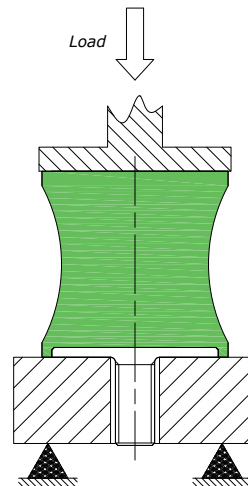
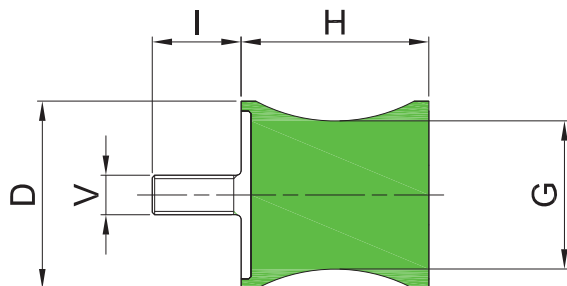
**APPLICATIONS**

- Engines • Tooling machinery • Pump
- Special equipment • HVAC • Gensets



MALE WAISTED BUFFERS

Type GVE



(N.B. 1 daN = 1.0197 kgf)

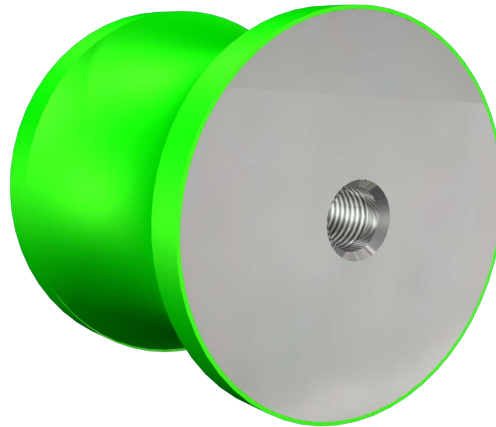
Item	D	H	G	M x l	Stiffness 45 IRHD (daN/mm)	Stiffness 60 IRHD (daN/mm)	Stiffness 70 IRHD (daN/mm)	Max static deflection (mm)
<b>2520GVEP18</b>	25	20	10	M6X18	2,8	4,1	5,6	4,0
<b>2520GVEG18</b>	25	20	17	M6X18	4,7	7,2	9,9	4,0
<b>3020GVE20</b>	30	20	24	M8X20	6,5	9,8	13,6	4,0
<b>4030GVEG23</b>	40	30	27	M8X23	6,8	10,2	14,0	6,0
<b>6060GVE25</b>	60	60	50	M10X25	13,5	20,1	27,7	12,0



An extensive range of mounts used for a wide number of applications.

The mounts are designed to prevent shocks and overloading,  
thanks to their progressive absorption.

They come in various sizes, from 8 to 150mm, with loads applied from  
a few Newtons to over 1,000 daN (approx. 1,020kg).



### STANDARD PRODUCTION

**Cold formed screws and nuts**

Nuts: Class 4    Screws: Class 4.8

**Welded screws and nuts**

Washer: DD12 steel UNI 10111

Nuts: Class 4    Screws: Class 4.8

Natural rubber NR

Zinc plated in accordance with CE standards CHROME VI free, white

Stiffness tolerance +/- 20%

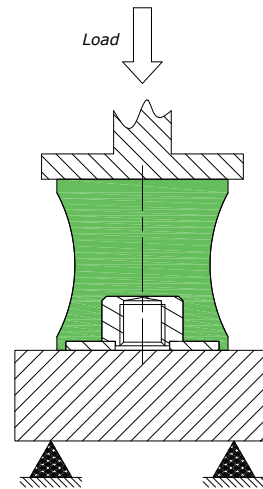
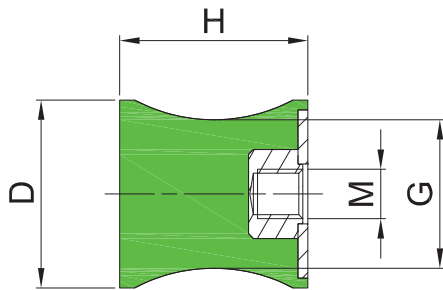
### APPLICATIONS

- Engines    • Tooling machinery    • Pump
- Special equipment    • HVAC    • Gensets



FEMALE WAISTED BUFFERS

Type GDE



(N.B. 1 daN = 1.0197 kgf)

Item	D	H	G	M	Stiffness 45 IRHD (daN/mm)	Stiffness 60 IRHD (daN/mm)	Stiffness 70 IRHD (daN/mm)	Max static deflection (mm)
<b>2520GDEG06</b>	25	20	17	M6	4,7	7,2	10,0	4,0
<b>3020GDE08</b>	30	20	24	M8	6,6	9,8	13,6	4,0
<b>4030GDEG08</b>	40	30	27	M8	6,8	10,2	14,0	6,0
<b>6060GDE10</b>	60	60	50	M10	13,6	20,1	27,7	12,0